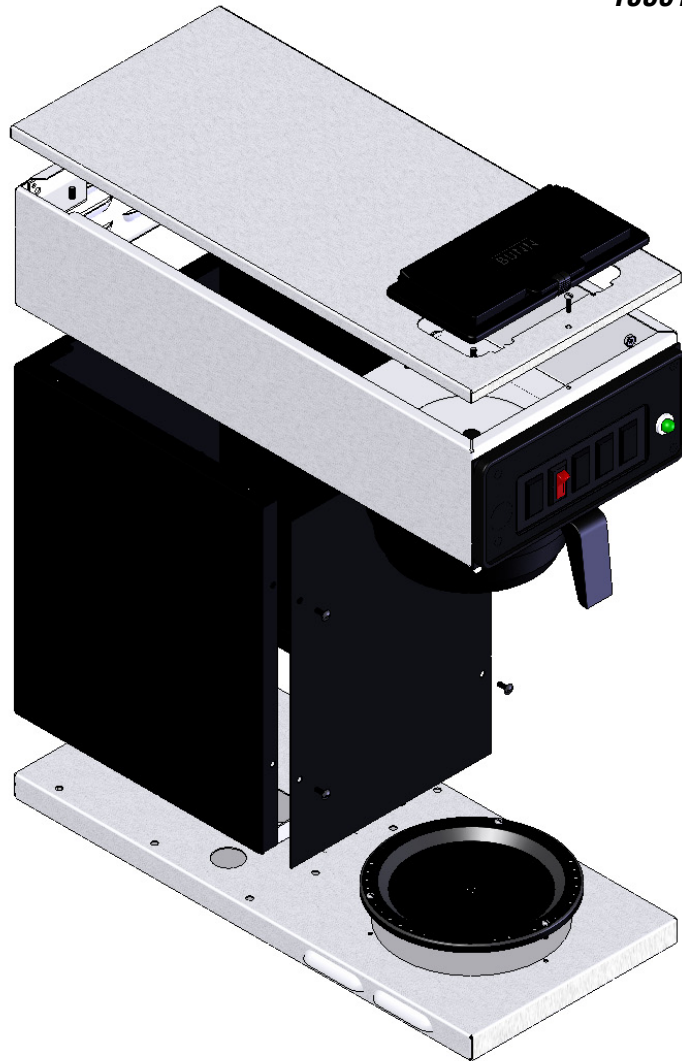

BUNN®

VP17 Series

*Supersedes Illustrated Parts Catalogs:
10861.0000 & 10861.0001*



ILLUSTRATED PARTS CATALOG

Designs, materials, weights, specifications, and dimensions for equipment or replacement parts are subject to change without notice.

BUNN-O-MATIC CORPORATION
POST OFFICE BOX 3227
SPRINGFIELD, ILLINOIS 62708-3227
PHONE: (217) 529-6601 FAX: (217) 529-6644



BUNN-O-MATIC COMMERCIAL PRODUCT WARRANTY

Bunn-O-Matic Corp. ("BUNN") warrants equipment manufactured by it as follows:

- 1) All equipment other than as specified below: 2 years parts and 1 year labor.
- 2) Electronic circuit and/or control boards: parts and labor for 3 years.
- 3) Compressors on refrigeration equipment: 5 years parts and 1 year labor.
- 4) Grinding burrs on coffee grinding equipment to grind coffee to meet original factory screen sieve analysis: parts and labor for 3 years or 30,000 pounds of coffee, whichever comes first.

These warranty periods run from the date of installation BUNN warrants that the equipment manufactured by it will be commercially free of defects in material and workmanship existing at the time of manufacture and appearing within the applicable warranty period. This warranty does not apply to any equipment, component or part that was not manufactured by BUNN or that, in BUNN's judgment, has been affected by misuse, neglect, alteration, improper installation or operation, improper maintenance or repair, damage or casualty. This warranty is conditioned on the Buyer 1) giving BUNN prompt notice of any claim to be made under this warranty by telephone at (217) 529-6601 or by writing to Post Office Box 3227, Springfield, Illinois 62708-3227; 2) if requested by BUNN, shipping the defective equipment prepaid to an authorized BUNN service location; and 3) receiving prior authorization from BUNN that the defective equipment is under warranty.

THE FOREGOING WARRANTY IS EXCLUSIVE AND IS IN LIEU OF ANY OTHER WARRANTY, WRITTEN OR ORAL, EXPRESS OR IMPLIED, INCLUDING, BUT NOT LIMITED TO, ANY IMPLIED WARRANTY OF EITHER MERCHANTABILITY OR FITNESS FOR A PARTICULAR PURPOSE. The agents, dealers or employees of BUNN are not authorized to make modifications to this warranty or to make additional warranties that are binding on BUNN. Accordingly, statements by such individuals, whether oral or written, do not constitute warranties and should not be relied upon.

If BUNN determines in its sole discretion that the equipment does not conform to the warranty, BUNN, at its exclusive option while the equipment is under warranty, shall either 1) provide at no charge replacement parts and/or labor (during the applicable parts and labor warranty periods specified above) to repair the defective components, provided that this repair is done by a BUNN Authorized Service Representative; or 2) shall replace the equipment or refund the purchase price for the equipment.

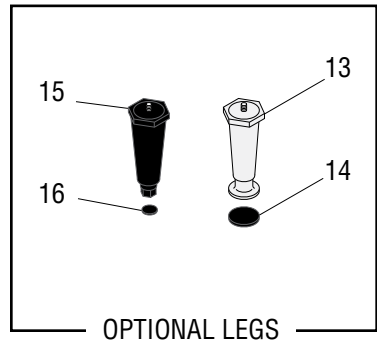
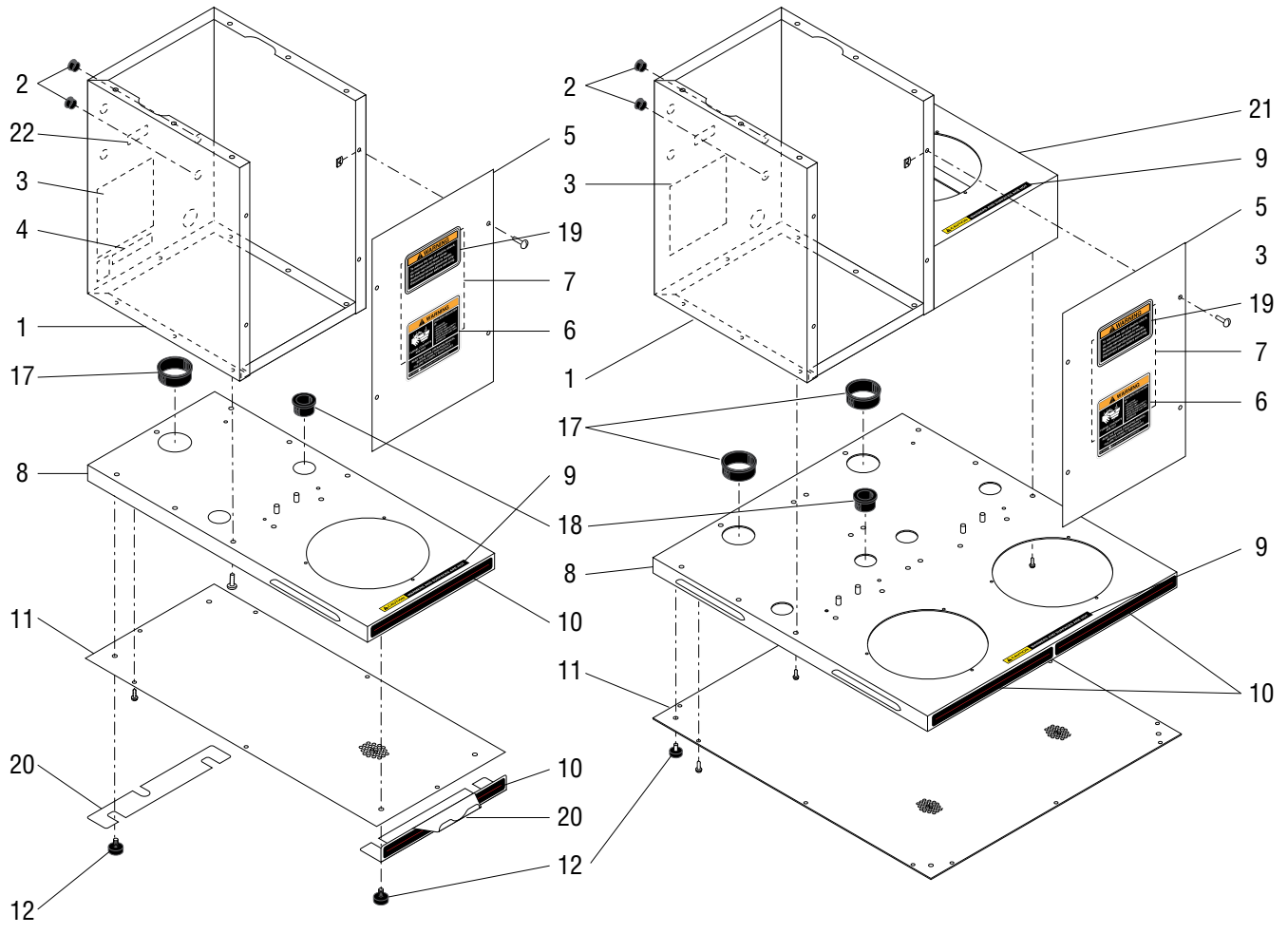
THE BUYER'S REMEDY AGAINST BUNN FOR THE BREACH OF ANY OBLIGATION ARISING OUT OF THE SALE OF THIS EQUIPMENT, WHETHER DERIVED FROM WARRANTY OR OTHERWISE, SHALL BE LIMITED, AT BUNN'S SOLE OPTION AS SPECIFIED HEREIN, TO REPAIR, REPLACEMENT OR REFUND.

In no event shall BUNN be liable for any other damage or loss, including, but not limited to, lost profits, lost sales, loss of use of equipment, claims of Buyer's customers, cost of capital, cost of down time, cost of substitute equipment, facilities or services, or any other special, incidental or consequential damages.

BrewWISE, BrewLOGIC, BrewMETER, BrewWIZARD, Bunn Gourmet, BUNN Gourmet Ice, BUNN Pour-O-Matic, BUNN, Bunn-OMatic, Bunn-O-Matic, BUNNlink, BUNNserve, BUNNSERVE, BUNN Espresso, Cool Froth, DBC, Dr. Brew, Dual, EasyClear, EasyGard, Easy Pour, FlavorGard, Gourmet Ice, Gourmet Juice, High Intensity, IMIX, Infusion Series, Intellisteam, Quality Beverage Equipment Worldwide, The Mark of Quality in Beverage Equipment Worldwide, My Café, PowerLogic, Safety-Fresh, Scale-Pro, Silver Series, Single, Smart Funnel, Smart Hopper, SmartWAVE, Soft Heat, SplashGard, System III, ThermoFresh, 392, AutoPOD, AXIOM, Beverage Profit Calculator, Beverage Bar Creator, BUNNsource, Coffee At Its Best, Digital Brewer Control, Nothing Brews Like a BUNN, Pouring Profits, Pulse Wave, Signature Series, Smart Heat, Tea At Its Best, The Horizontal Red Line, Titan, Ultra, are either trademarks or registered trademarks of Bunn-O-Matic Corporation.

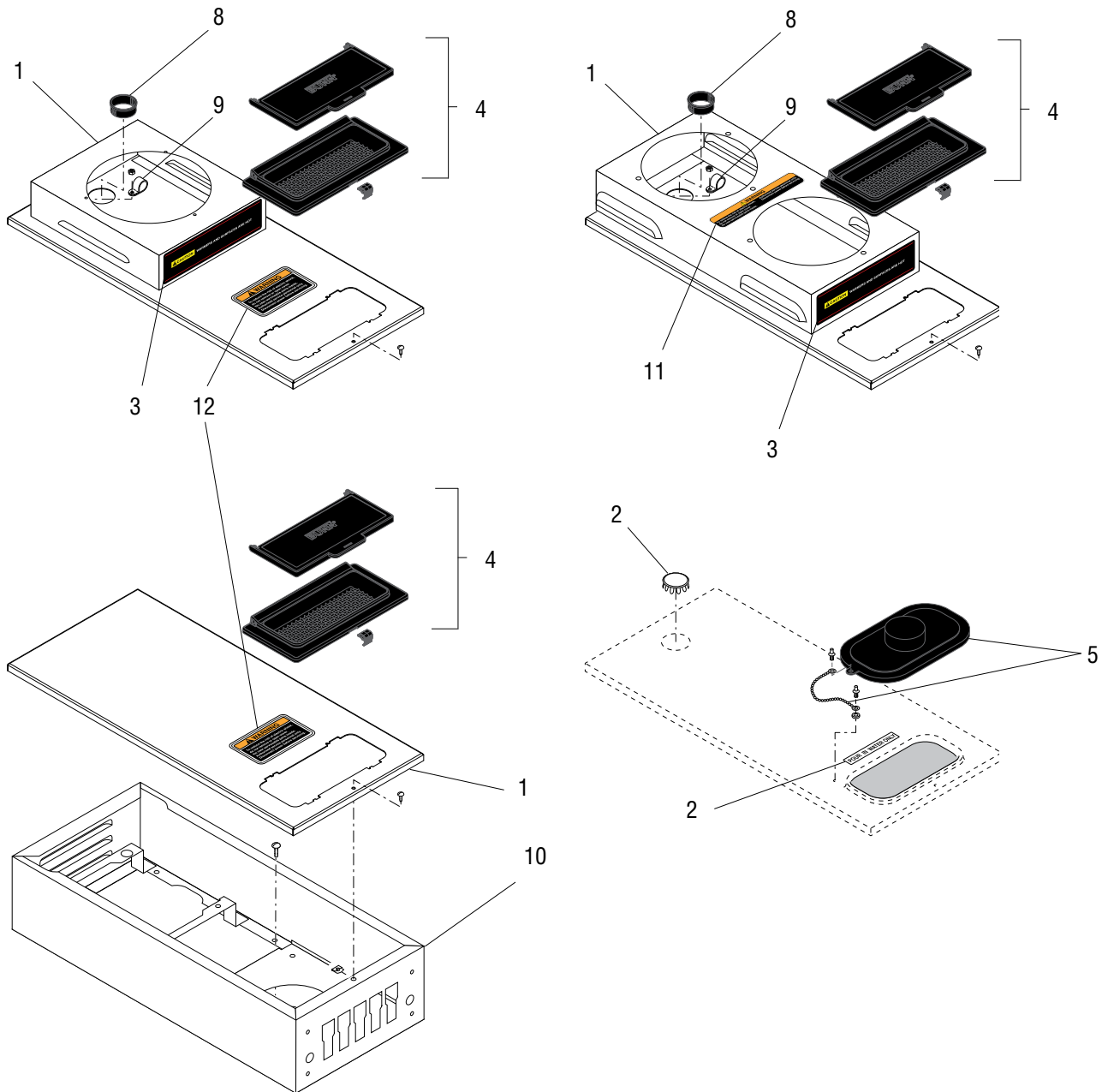
TABLE OF CONTENTS

| | |
|--|--------|
| Trunk and Panels..... | 4 |
| Hood and Top Covers..... | 6 |
| Fill Basin | 8 |
| Tank and Components..... | 10 |
| Electrical and Operating Controls..... | 12, 14 |
| Warmer Assemblies | 16 |
| Funnels, Pitcher and Filter Basket | 18 |
| Numerical Index..... | 20 |



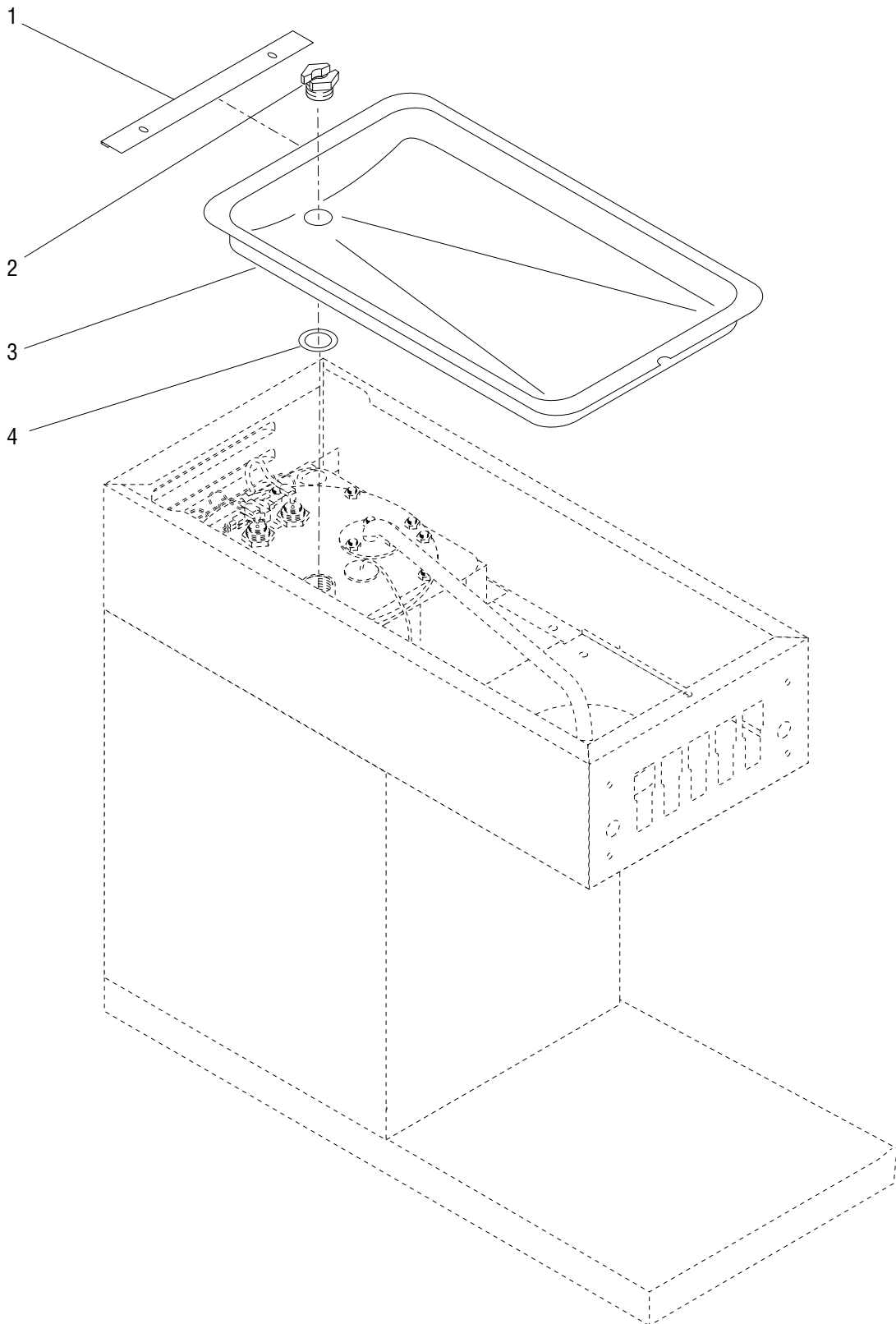
TRUNKS AND BASES

| ITEM | PART NO. | QTY. | DESCRIPTION |
|------------|------------|------------------------|--|
| 1 | 34061.1005 | 1 | Trunk W/Decals BLK (Includes item 3) |
| | 34061.1006 | 1 | Trunk W/Decals SST (Includes item 3) |
| | 34061.1014 | 1 | Trunk W/Decals SST (Includes item 3) (Models ON/OFF Rocker Switch) |
| | 41402.1000 | 1 | Trunk W/Decals SST (Includes item 3) (Models w/2 Toggle Switches) |
| 2 | 00669.0003 | 2-3 | Plug, Hole - .437" Hole Dia. |
| 3 | 00831.0000 | 1 | Decal, Warning-Electrical |
| 4 | 02822.0000 | 1 | Decal, Auxiliary Outlet (Brewers w/Rear Receptacle) |
| 5 | 23319.1005 | 1 | Panel W/Decals, BLK (Includes items 6,7 & 21) |
| | 25144.0011 | 1 | Panel W/Decals, SST (Includes items 6,7 & 21) |
| | 25144.0002 | 1 | Panel W/Decals, SST (Includes item 6 & 21) ("B" Models only) |
| | 01382.0000 | 4 | Screw, Truss Head - SST #6-32 x .375" |
| | 01382.0002 | 4 | Screw, Truss Head - BLK #6-32 x .375" |
| 00988.0000 | 4 | Fastener, U-Type #6-32 | |
| 6 | 00658.0000 | 1 | Decal, Caution - Decanter/Funnel |
| 7 | 10862.0003 | 1 | Schematic, Electrical - 120V |
| 8 | 25351.0000 | 1 | Housing W/Decals, Base 1 Warmer (Includes items 9 & 10) |
| | 25351.0001 | 1 | Housing W/Decals, Base 1 Warmer (Includes items 9 & 10) (CE) |
| | 02308.0000 | 9 | Screw, Pan Head - Serrated #8-32 x .375" |
| | 25657.0000 | 1 | Housing SST W/Decals, Base 3 Warmers (Includes items 9 & 10) |
| | 25657.0001 | 1 | Housing SST W/Decals, Base 3 Warmers (Includes items 9 & 10) (CE) |
| | 25657.0002 | 1 | Housing BLK W/Decals, Base 3 Warmers (Includes items 9 & 10) |
| | 02308.0000 | 16 | Screw, Pan Head - Serrated #8-32 x .375" |
| 9 | 12364.0000 | 1 | Decal, Caution - Warmers And Surfaces Are Hot |
| 10 | 22306.0000 | 1 | Decal, Red Decorative Stripe |
| 11 | 24805.0000 | 1 | Plate, Base 1 Warmer |
| | 02332.0002 | 6 | Screw, Hex-Crimptite #6 x .375" |
| | 24805.0000 | 1 | Plate, Base 3 Warmers |
| | 02332.0002 | 12 | Screw, Hex-Crimptite #6 x .375" |
| 12 | 25137.0000 | 4 | Foot, Black w/.250"-20 THD |
| 13 | 00511.1000 | 4 | Set of 4 Legs, 4" Adjustable Satin Nickel (Includes pads) |
| 14 | 03996.0000 | 4 | Pad, Anti-Skid, Rubber (1.25" Dia) |
| 15 | 03359.0001 | 4 | Set of 4 Legs, 4" Adjustable BLK Plastic (Includes pads) |
| 16 | 03993.0000 | 4 | Pad, Anti-Skid, Rubber (.70" Dia) |
| 17 | 01593.0000 | 1 | Bushing, Snap 1.5" Dia |
| 18 | 01592.0000 | 1 | Bushing, Snap 1" Dia (One less used on 1 & 2 Warmer Brewers) |
| 19 | 37881.0000 | 1 | Decal, No Serviceable Parts |
| 20 | 27366.0000 | 1 | Kit, 1 GPR Stabilizer (Includes feet, decal & brackets) |
| 21 | 25658.0000 | 1 | Housing SST W/Decal, Side Warmer (Includes item 9) |
| | 25658.0002 | 1 | Housing BLK W/Decal, Side Warmer (Includes item 9) |
| 22 | 41405.0000 | 1 | Decal, Main ON/OFF Switch |



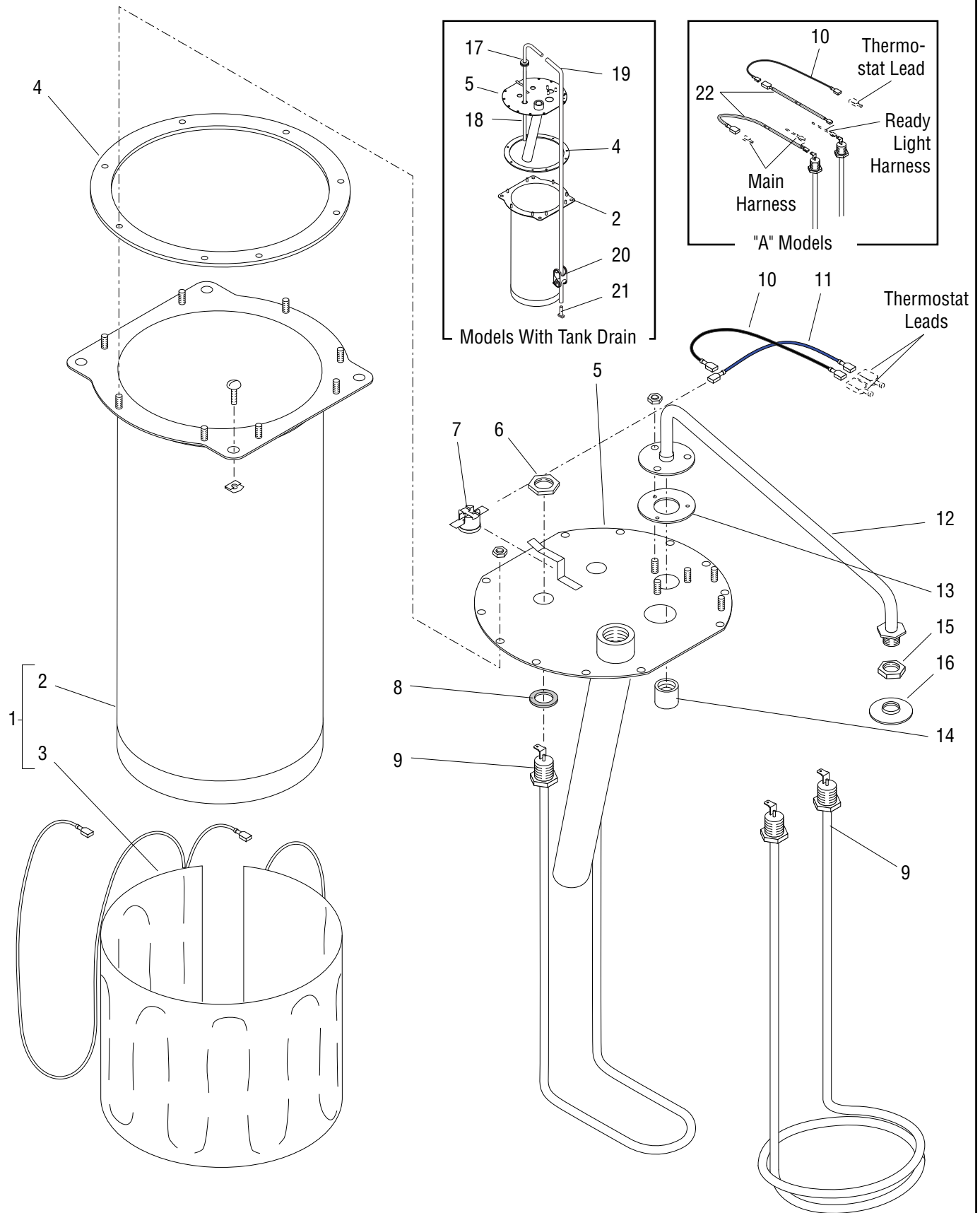
HOOD AND TOP COVERS

| ITEM | PART NO. | QTY. | DESCRIPTION |
|------|------------|------|--|
| 1 | 38503.1000 | 1 | Cover SST, Top (Includes items 2 & 12)(Brewers W/Out Top Warmer) |
| | 38504.1000 | 1 | Cover BLK, Top (Includes items 2 & 12)(Brewers W/Out Top Warmer) |
| | 38496.1000 | 1 | Cover, Top (Includes items 3,8 & 12)(Brewers with Top Warmer) |
| | 38496.1002 | 1 | Cover, Top (Includes items 3,8 & 11)(Brewers with Two Top Warmers) |
| | 01303.0000 | 1 | Screw SST, Pan Head #4-40 x .50" |
| | 00916.0000 | 1 | Fastener, J-Type #4-40 |
| 2 | 00833.0000 | 1 | Decal, Pour In Water Only |
| 3 | 02763.0000 | 1 | Decal, Caution - Warmers And Surfaces Are Hot - Pour In Water Only |
| 4 | 38498.1000 | 1 | Flip Lid Assy. |
| 5 | 12981.0001 | 1 | Lid/Chain Kit (Early Models) |
| 6 | 00833.0000 | 1 | Decal, Pour In Water Only (Early Models) |
| 7 | 02999.0000 | 1 | Plug, Hole 1.19" Dia. (Early Models) |
| 8 | 01592.0001 | 1 | Bushing, Snap 1.188" Dia |
| 9 | 28382.0000 | 1 | Clamp, Routing |
| | 00908.0000 | 1 | Nut, Hex #8-32 |
| 10 | 13350.0006 | 1 | Housing SST, Hood |
| | 13350.0016 | 1 | Housing BLK, Hood |
| | 13350.0015 | 1 | Housing, Hood ("B" Models w/front heater switch only) |
| | 02308.0000 | 6 | Screw, Pan Head Serrated #8-32 x .375" |
| 11 | 37881.0002 | 1 | Decal, No Serviceable Parts |
| 12 | 37881.0000 | 1 | Decal, No Serviceable Parts |



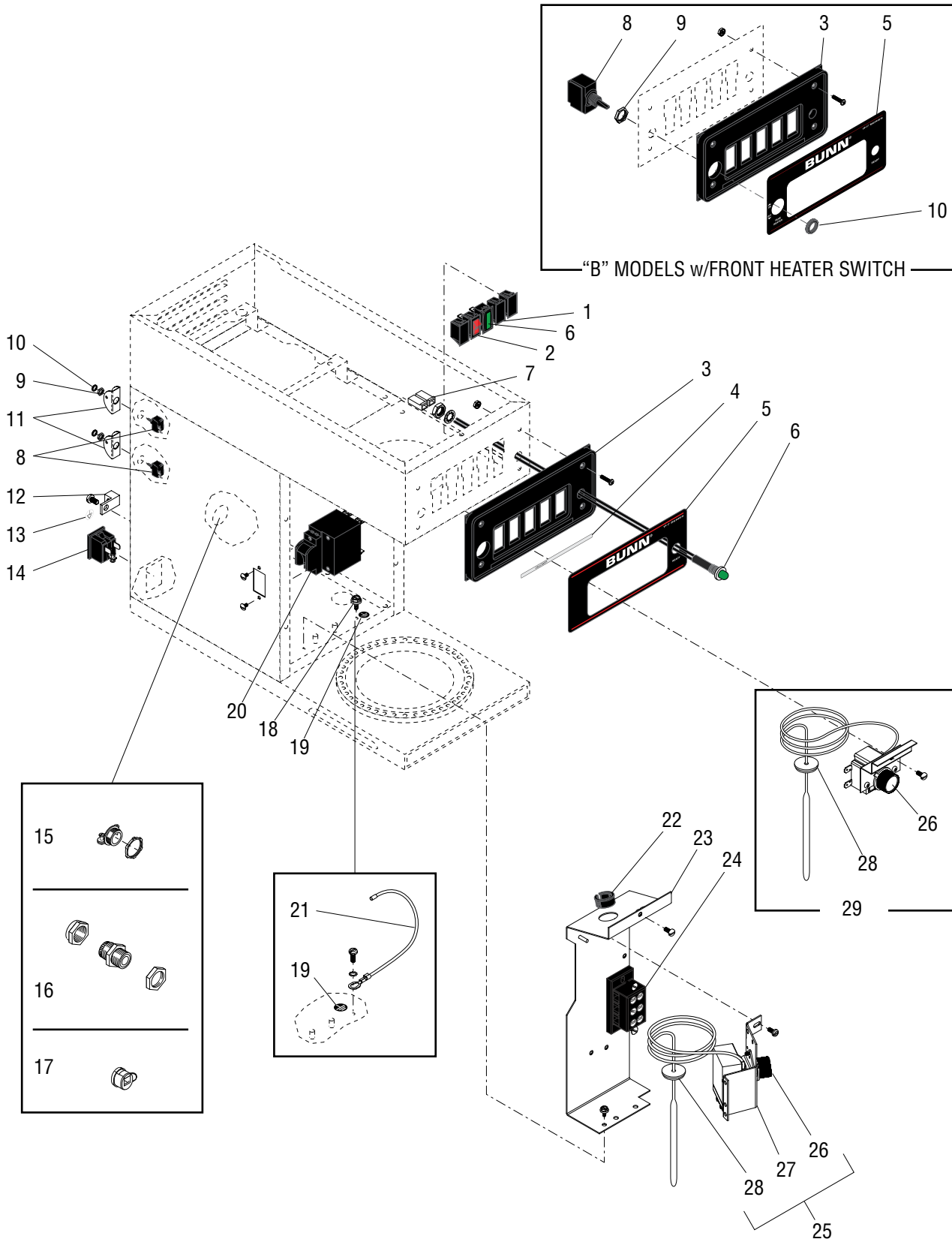
FILL BASIN

| ITEM | PART NO. | QTY. | DESCRIPTION |
|------|------------|------|---------------------|
| 1 | 11424.0000 | 1 | Plate, Splash Guard |
| 2 | 01212.0001 | 1 | Fitting, Tank Inlet |
| 3 | 04270.0000 | 1 | Fill Basin |
| 4 | 01201.0000 | 1 | Gasket, Tank Inlet |



TANK AND COMPONENTS

| ITEM | PART NO. | QTY. | DESCRIPTION |
|------|------------|------|---|
| - | 25319.1000 | 1 | Tank Assy, 1320W 120V (Includes items 1 thru 14) |
| | 25319.1001 | 1 | Tank Assy, 1800W 120V (Includes items 1 thru 14) |
| | 25319.1007 | 1 | Tank Assy, 1850W 220V (Includes items 1 thru 14 & 22) |
| | 25319.1008 | 1 | Tank Assy, 3500W 240V (Includes items 1 thru 14 & 22) |
| | 25319.1016 | 1 | Tank Assy, 1600W 100V (Includes items 1 thru 14) |
| | 01315.0000 | 2 | Screw, Truss Head #8-32 x .3/8" |
| | 00912.0000 | 2 | Fastener, J-Type #8-32 |
| 1 | 04119.0000 | 1 | Tank W/Blanket Warmer, 120V |
| | 04133.0000 | 1 | Tank W/Blanket Warmer, 220V |
| | | | } Includes items 2 & 3 |
| 2 | 04118.0000 | 1 | Tank |
| 3 | 04260.0000 | 1 | Blanket Warmer, 50W 120V |
| | 01927.0000 | 1 | Blanket Warmer, 50W 220V |
| 4 | 04221.0000 | 1 | Gasket, Tank Lid |
| 5 | 25158.0002 | 1 | Tank Lid |
| | 25158.0005 | 1 | Tank Lid (Models with Tank Drain) |
| | 00908.0000 | 8 | Nut, Hex #8-32 |
| 6 | 00942.0000 | 2 | Nut, Hex .50"-20 |
| 7 | 29329.1000 | 1 | Thermostat, Limit (230F 17 AMP) |
| 8 | 00943.0000 | 2 | Gasket, Tank Heater |
| 9 | 04236.1000 | 1 | Tank Heater, 1320W 120V |
| | 20939.1000 | 1 | Tank Heater, 1600W 100V |
| | 01925.1000 | 1 | Tank Heater, 1850W 220V |
| | 04637.1000 | 1 | Tank Heater, 3500W 240V |
| | 04636.1000 | 1 | Tank Heater, 1800W 120V |
| | | | } Includes item 8 |
| 10 | 23769.0000 | 1 | Lead, Electrical BLK (Thermostat to Heater) |
| 11 | 23768.0000 | 1 | Lead, Electrical BLU (Thermostat to Limit) |
| 12 | 11431.0002 | 1 | Sprayhead Tube Kit (Includes 3 mounting nuts below & items 13 & 14) |
| | 00908.0000 | 3 | Nut, Hex #8-32 |
| 13 | 05515.0000 | 1 | Gasket, Sprayhead Tube |
| 14 | 05518.0000 | 1 | Hub, Syphon |
| 15 | 01075.0000 | 1 | Nut, Hex .438" - 20 |
| 16 | 01082.0000 | 1 | Sprayhead, 6-Hole |
| | 01082.0007 | 1 | Sprayhead, 1-Hole (Brewers with Pouch-Pack Funnel) |
| 17 | 02536.0000 | 1 | Grommet |
| 18 | 28298.0001 | 1 | Tube, Drain |
| 19 | 28526.1001 | 1 | Tube, Silicone .313" x .562" x 36.0" |
| 20 | 11630.0001 | 1 | Clamp, Shut Off |
| 21 | 32098.0000 | 1 | Plug |
| 22 | 40796.0000 | 1 | TCO Kit |

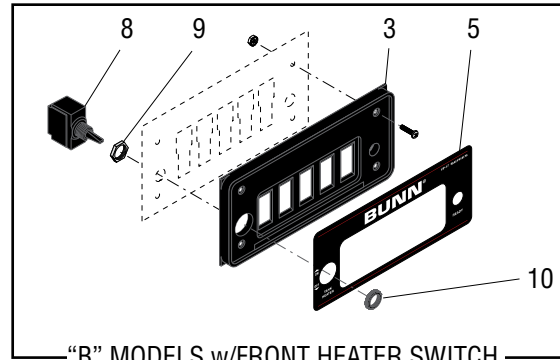


ELECTRICAL AND OPERATING CONTROLS

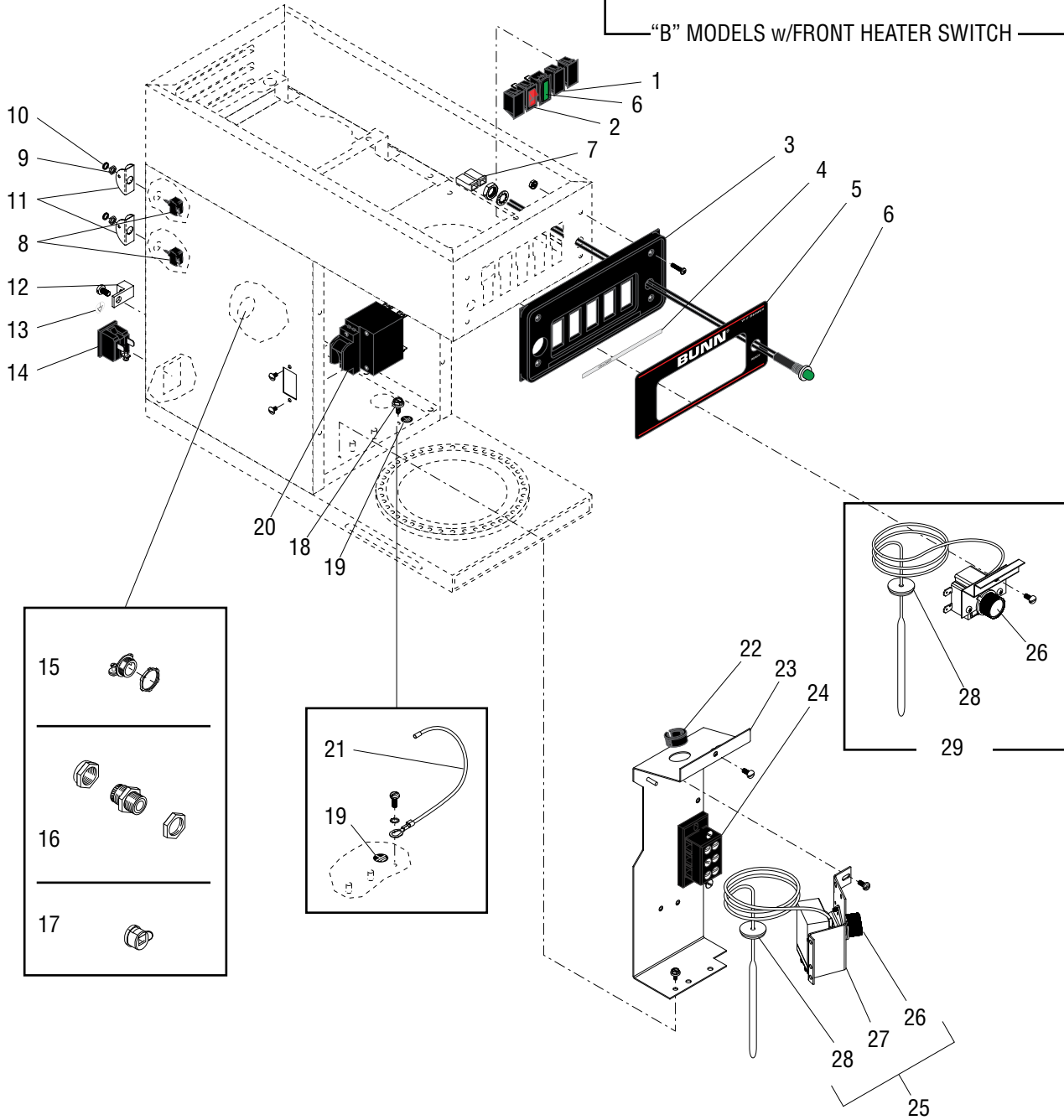
| ITEM | PART NO. | QTY. | DESCRIPTION | |
|------|------------|------|--|-------------------------|
| 1 | 12921.0000 | 2-4 | Switch Blank, BLK | |
| 2 | 12920.0000 | 1-3 | Switch ON/OFF 120V | |
| | 12920.0002 | 1-3 | Switch, ON/OFF 240V | |
| 3 | 13352.0008 | 1 | Control Panel | |
| | 02301.0000 | 4 | Screw, Phillip Pan Head #6-32 x .625" | |
| | 00973.0000 | 4 | Nut , Keps #6-32 | |
| 4 | 22295.0000 | 1 | Label, Switch ON/OFF (One warmer brewer) | |
| | 22295.0001 | 1 | Label, Switch ON/OFF (Two warmer brewer) | |
| | 22295.0002 | 1 | Label, Switch ON/OFF (Three lower warmer brewer left or right) | |
| | 22295.0012 | 1 | Label, Switch ON/OFF (One Lower Warmer & Two Upper Warmers) | |
| | 22295.0015 | 1 | Label, Switch ON/OFF (One warmer brewers) | } "A" Models only |
| | 22295.0016 | 1 | Label, Switch ON/OFF (Two warmer brewers) | |
| | 22295.0017 | 1 | Label, Switch ON/OFF (Three lower warmer brewers, left or right) | |
| | 22295.0018 | 1 | Label, Switch ON/OFF (One lower, and two upper warmer brewers) | |
| 5 | 25105.0000 | 1 | Decal, Control Panel (W/Ready Light) | |
| | 25105.0003 | 1 | Decal, Control Panel (W/Ready Light) ("B" Models Only W/Front Heater Switch) | |
| | 25105.0004 | 1 | Decal, Control Panel (No Light, No Switch) | |
| 6 | 12984.0002 | 1 | Light Assembly, 120V (Includes Terminal Housings) | |
| | 12984.0004 | 1 | Light Assembly, 240V (Includes Terminal Housings) | |
| | 12985.0000 | 1 | Wiring Harness, Ready Light | |
| | 27691.0001 | 1 | Ready Light, Green 240V ("A" Models only) Used in place of switch blank | |
| | 27730.0000 | 1 | Wiring Harness, Ready Light ("A" Models only) | |
| 7 | 04243.0000 | 2 | Terminal Housing, Receptacle | |
| 8 | 40763.0001 | 1 | Switch, Heater (SPST) (Includes Hex Nut) Front or Rear Mount | |
| | 28004.0000 | 1 | Switch, Heater (DPST) (Includes Hex Nut) (Rear Mount "A" Models only) | |
| | 28355.0000 | 1 | Harness Assy, (For use with 28004.0000 Heater Switch) | |
| 9 | 23696.0000 | 1 | Nut, Hex | |
| 10 | 23697.0000 | 1 | Facenut, Plastic | |
| 11 | 25102.0000 | 1 | Bracket, Switch Indicator/Guard | |
| | 25102.0001 | 1 | Bracket, Switch Indicator/Guard (CE) | |
| 12 | 27705.0000 | 1 | Terminal Lug (Includes setscrew) | |
| | 01327.0000 | 1 | Screw, Pan Head #10-32 x .38" | |
| 13 | 00824.0001 | 1 | Decal, Equipotentiality (CE Only) | |
| 14 | 03628.0000 | 1 | Receptacle, Grounded (Not Used on Brewers with Three Warmers) | |
| | 13307.1001 | 1 | Wiring Harness, Rear Receptacle | |
| 15 | 01685.0000 | 1 | Connector, Cord .50" MPT ("B" Models) | |
| 16 | 05746.0000 | 1 | Bushing, Strain Relief ("A" Models) | |
| 17 | 01686.0000 | 1 | Bushing, Strain Relief | |
| 18 | 02337.0001 | 1 | Screw, Hex Head #10 x .375" (Cord Ground) | |
| 19 | 00824.0000 | 1 | Decal, Ground | |

(Continued)

(Continued)



“B” MODELS w/FRONT HEATER SWITCH



ELECTRICAL AND OPERATING CONTROLS

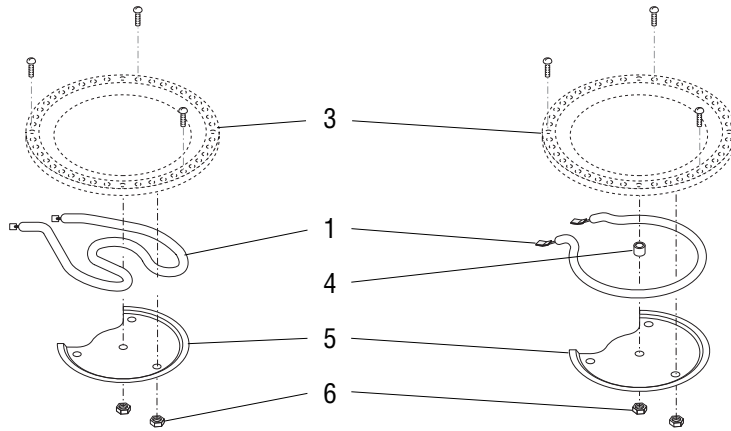
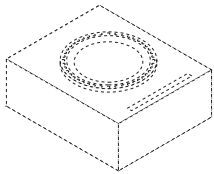
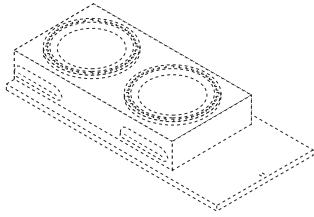
| ITEM | PART NO. | QTY. | DESCRIPTION |
|------|------------|------|--|
| 20 | 38894.0001 | 1 | Switch, Master ON/OFF (Models w/ Master ON/OFF Switch) |
| | 01308.0003 | 2 | Screw, truss Head, Locking BLK #6-32 x .25" |
| | 01308.0000 | 2 | Screw, truss Head, Locking SST #6-32 x .25" |
| | 01327.0000 | 4 | Screw, Pan Head #10-32 x .38" |
| | 01512.0000 | 4 | Lockwasher #10 |
| | 38920.0000 | 1 | Wiring Harness, Switch-Terminal Block |
| 21 | 21016.0131 | 1 | Lead, Electrical Grn/Yel 7" LG (Ground to white pole in terminal block) |
| | 01375.0000 | 1 | Screw, Pan Head - Brass #10-32 X .50" |
| | 01512.0000 | 1 | Lockwasher, External Tooth #10 |
| 22 | 00606.0000 | 1 | Bushing, Snap .875" Dia |
| 23 | 12698.0005 | 1 | Bracket Assembly, Component Mounting (Not Used on Newer 120V Models) |
| | 01347.0000 | 1 | Screw, Truss Head #6-32 x .375" (Early models) |
| | 02308.0000 | 1 | Screw, Pan Head #8-32 x .375" (Late models) |
| | 02332.0001 | 1 | Screw, Hex-Crimptite #6 x .250" |
| 24 | 01106.0000 | 1 | Terminal Block, 2 Pole-White/Black ("B" Models only) |
| | 01317.0000 | 2 | Screw, Truss Head #8-32 x .50" |
| | 07038.0000 | 1 | Terminal Block, 3 Pole ("A" Models only) |
| | 01315.0000 | 2 | Screw, Truss Head #8-32 x .38" |
| | 01501.0000 | 2 | Washer, Flat .164" I.D. |
| 25 | 04314.0001 | 1 | Thermostat Kit (Replaces Thermostats with Terminals) |
| | 28319.0000 | 1 | Thermostat Kit (Replaces Thermostats with Electrical Leads) |
| | 02308.0000 | 1 | Screw, Pan Head #8-32 x .375" |
| | 20762.0000 | 2 | Screw, Binding Head #8-32 x .25" (Thermostats with Terminals) |
| 26 | 00720.0000 | 1 | Knob |
| 27 | 20771.0001 | 1 | Bracket Assembly |
| | 02301.0001 | 2 | Screw, Phillip Pan Head #6-32 x .312" |
| 28 | 07073.0001 | 1 | Grommet, Thermostat |
| 29 | 28385.1001 | 1 | Thermostat Kit (For Newer 120V models) |
| | 02308.0000 | 1 | Screw, Pan Head #8-32 x .38" |
| | 20762.0000 | 2 | Screw, Binding Head #8-32 x .25" |
| | 25347.0003 | 1 | Harness Assy. |

The Following Items Are Not Illustrated

| | | | |
|----|------------|---|---|
| 30 | 01637.0000 | 1 | Power Cord 60.0" lg 120V |
| | 40699.0004 | 1 | Power Cord 72.0" lg 120V |
| | 01638.0000 | 1 | Power Cord ("B" Models) |
| | 27728.0005 | 1 | Power Cord (VP17A-2) |
| | 28111.0003 | 1 | Power Cord (VP17A-1) |
| | 28111.0008 | 1 | Power Cord (VP17A-2)(230V Models for United Kingdom) |
| | 33529.0002 | 1 | Power Cord (VP17A-2)(230V Models for Europe) |
| 31 | 25769.0000 | 1 | Wiring Harness, Main w/Rear Receptacle120V (VP17-3) |
| | 25769.0001 | 1 | Wiring Harness, Main 100V ("B" Models) |
| | 25769.0002 | 1 | Wiring Harness, Main 120V (VP17-1) |
| | 25769.0003 | 1 | Wiring Harness, Main 120V (VP17-2) |
| | 25769.0004 | 1 | Wiring Harness, Main 120V (VP17-3)(Early Models) |
| | 25769.0006 | 1 | Wiring Harness, Main 120V (VP17-3)(Includes Side Warmer Wiring) |
| 32 | 12919.0000 | - | Cap, Terminal Cover - BLK (Use as required) |

UPPER & SIDE HOUSING WARMERS

(A)

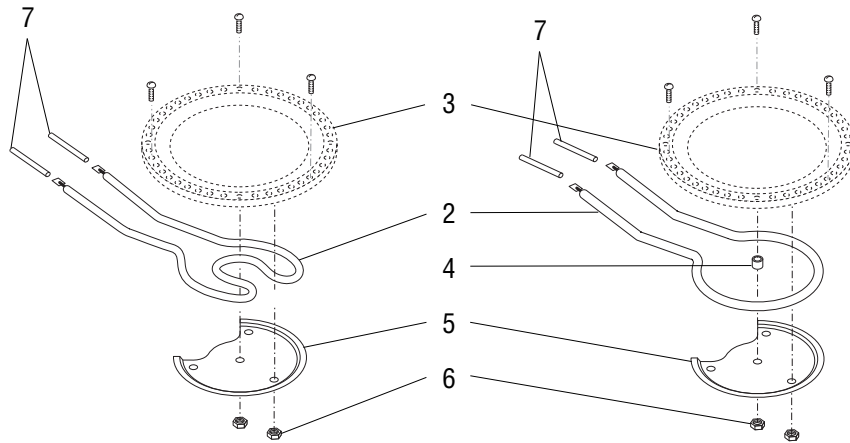
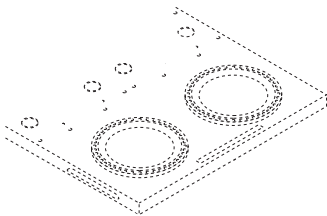
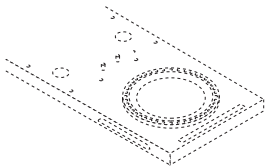


'A' & 'B' MODELS ONLY

120V & 120/240V MODELS ONLY

BASE WARMERS

(B)



'A' & 'B' MODELS ONLY

120V & 120/240V MODELS ONLY

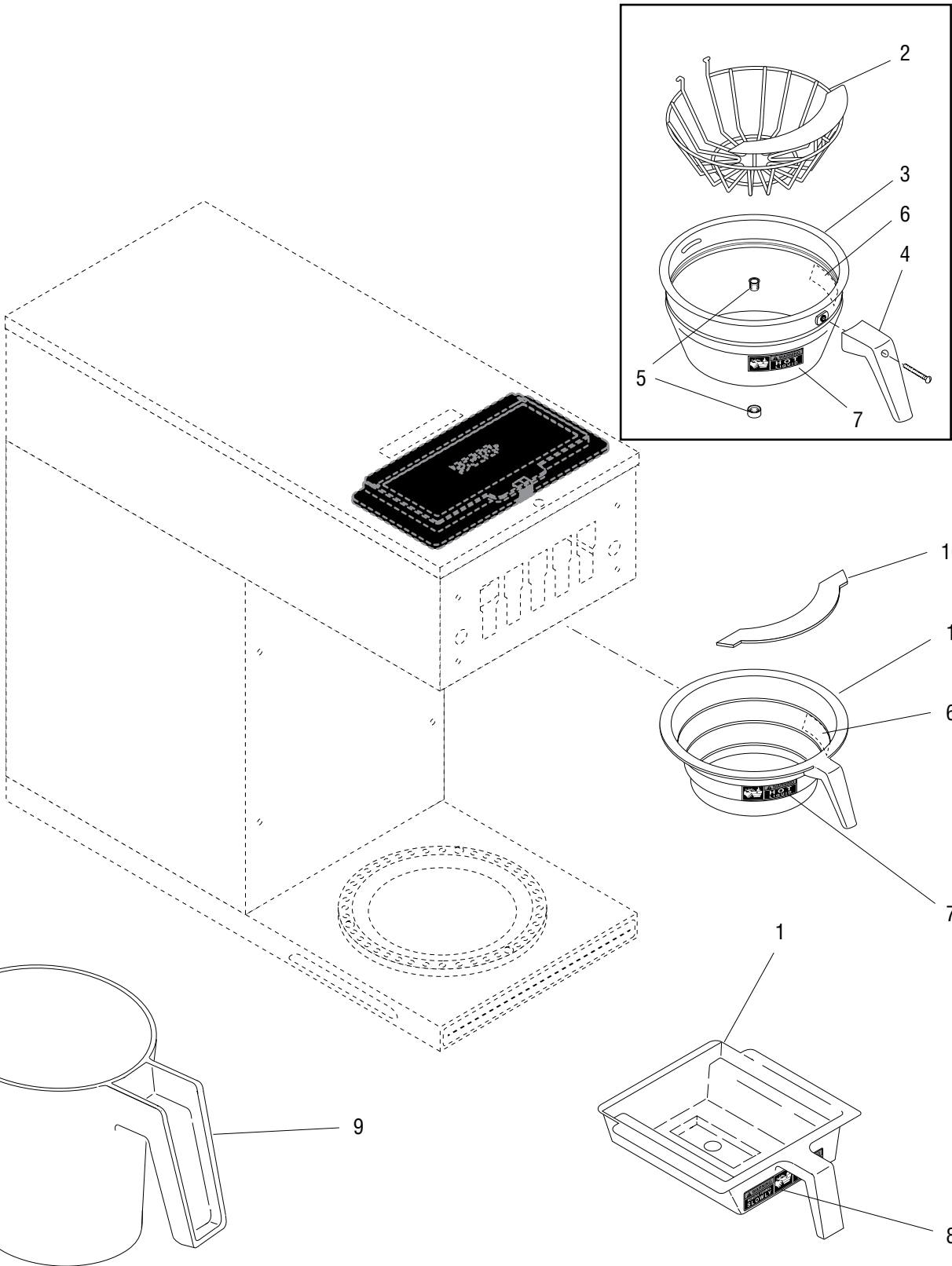
WARMER ASSEMBLIES

| ITEM | PART NO. | QTY. | DESCRIPTION | |
|--|-------------------------|------------|--|---|
| A | 03652.0000 | 1 | Warmer Assembly 120V, Top & Side Warmers (Includes items 1, & 3 - 6) | |
| | 11440.0009 | 1 | Warmer Assembly 220V, Top & Side Warmers (Includes items 1, 3, 5, & 6) | |
| | 11440.0011 | 1 | Warmer Assembly 200V, Top & Side Warmers (Includes items 1, 3, 5, & 6) | |
| | 01303.0000 | 3 | Screw, Pan Head - SST #4-40 x .5" | |
| | 00916.0000 | 3 | Fastener, J-Type #4-40 | |
| | 1 | 01227.0000 | 1 | Warmer Element 120V Top & Side Warmers |
| | | 01951.0000 | 1 | Warmer Element 220V Top & Side Warmers ("A" Models) |
| | | 01951.0001 | 1 | Warmer Element 200V Top & Side Warmers ("B" Models) |
| | B | 11440.0005 | 1 | Warmer Assembly 120V, Base Warmers (Includes items 2-7) (Single CW) |
| | | 11440.0008 | 1 | Warmer Assembly 220V, Base Warmers (Includes items 2, 3, 5, & 6) |
| 11440.0010 | | 1 | Warmer Assembly 200V, Base Warmers (Includes items 2, 3, 5, & 6) | |
| 01303.0000 | | 3 | Screw, Pan Head - SST #4-40 x .5" | |
| 00916.0000 | | 3 | Fastener, J-Type #4-40 | |
| 2 | | 11442.0000 | 1 | Warmer Element 120V Base Warmers (Single CW) |
| | | 11438.0000 | 1 | Warmer Element 220V Base Warmers ("A" Models) |
| | | 11438.0001 | 1 | Warmer Element 200V Base Warmers ("B" Models) |
| 3 | | 03656.0000 | 1 | Warmer Dish, Blk 45 Hole |
| 4 | | 13042.0001 | 1 | Spacer, (120V Models Only) |
| 5 | 05212.0000 | 1 | Plate, Element Retaining | |
| 6 | 00970.0000 | 2 | Nut, Keps #8-32 | |
| 7 | 04828.0001 * | 2 | Tube, Silicone .25" Dia x 1.875" LG. (Order Item 8) | |
| The Following Items Are Not Illustrated | | | | |
| 8 | 04828.1001 | - | Tube, Silicone .25" Dia. x 24" LG (Use as required) | |
| 9 | 24785.0002 | 1 | Galley Kit, "C" Series, 3 Warmers | |



All warmers listed above are rated @ 100 watts

* Indicates the part number listed is for reference only.



FUNNELS, PITCHER AND FILTER BASKET

| ITEM | PART NO. | QTY. | DESCRIPTION |
|------|------------|------|---|
| 1 | 20583.0003 | 1 | Funnel W/Decals, Plastic (Black 7.125" Dia) (Includes items 6, 7 & 10) |
| | 20583.0006 | 1 | Funnel W/Decals, Plastic (Orange 7.125" Dia) (Includes items 6, 7 & 10) |
| | 20216.0000 | 1 | Funnel, SST W/Black Handle (7.125" Dia)(Includes items 2 thru 4) |
| | 20216.0001 | 1 | Funnel, SST W/Orange Handle (7.125" Dia)(Includes items 2 thru 4) |
| | 04274.0012 | 1 | Funnel W/Decal, Pouch-Pack Black (Large)(7.125") (Includes item 8) |
| 2 | 33088.0000 | 1 | Filter Basket (7.125" Dia) |
| 3 | 28553.0000 | 1 | Funnel W/Decals, SST (7.125" Dia) (Includes items 6 & 7) |
| 4 | 20244.1000 | 1 | Handle Kit, Black (Includes Screw) |
| | 20244.1001 | 1 | Handle Kit, Orange (Includes Screw) |
| | 01331.0002 | 1 | Screw, Round Head #10-32 x 1.50" |
| 5 | 01031.0000 | 1 | Funnel Tip Kit |
| 6 | 03408.0002 | 1 | Decal, Warning-Remove Funnel |
| 7 | 03409.0002 | 1 | Decal, Warning-Hot Liquid |
| 8 | 28694.0000 | 1 | Decal, Warning-Hot Liquid/Remove Funnel |
| 9 | 04238.0000 | 1 | Pitcher, Water - 64 OZ |
| 10 | 32964.0000 | 1 | Splash Guard |

NUMERICAL INDEX

| PART NO. | PAGE NO. | PART NO. | PAGE NO. | PART NO. | PAGE NO. | PART NO. | PAGE NO. |
|-----------------|----------|-----------------|----------|-----------------|----------|-----------------|----------|
| 00511.1000..... | 5 | 02763.0000..... | 7 | 13307.1001..... | 13 | 25769.0001..... | 15 |
| 00606.0000..... | 15 | 02822.0000..... | 5 | 13350.0006..... | 7 | 25769.0002..... | 15 |
| 00658.0000..... | 5 | 02999.0000..... | 7 | 13350.0015..... | 7 | 25769.0003..... | 15 |
| 00669.0003..... | 5 | 03359.0001..... | 5 | 13350.0016..... | 7 | 25769.0004..... | 15 |
| 00720.0000..... | 15 | 03408.0002..... | 19 | 13352.0008..... | 13 | 25769.0006..... | 15 |
| 00824.0000..... | 13 | 03409.0002..... | 19 | 20216.0000..... | 19 | 27366.0000..... | 5 |
| 00824.0001..... | 13 | 03628.0000..... | 13 | 20216.0001..... | 19 | 27691.0001..... | 13 |
| 00831.0000..... | 5 | 03652.0000..... | 17 | 20244.1000..... | 19 | 27705.0000..... | 13 |
| 00833.0000..... | 7 | 03656.0000..... | 17 | 20244.1001..... | 19 | 27728.0005..... | 15 |
| 00908.0000..... | 7,11 | 03993.0000..... | 5 | 20583.0003..... | 19 | 27730.0000..... | 13 |
| 00912.0000..... | 11 | 03996.0000..... | 5 | 20583.0006..... | 19 | 28004.0000..... | 13 |
| 00916.0000..... | 7,17 | 04118.0000..... | 11 | 20762.0000..... | 15 | 28111.0003..... | 15 |
| 00942.0000..... | 11 | 04119.0000..... | 11 | 20771.0001..... | 15 | 28111.0008..... | 15 |
| 00943.0000..... | 11 | 04133.0000..... | 11 | 20939.1000..... | 11 | 28298.0001..... | 11 |
| 00970.0000..... | 17 | 04221.0000..... | 11 | 21016.0131..... | 15 | 28319.0000..... | 15 |
| 00973.0000..... | 13 | 04236.1000..... | 11 | 22295.0000..... | 13 | 28355.0000..... | 13 |
| 00988.0000..... | 5 | 04238.0000..... | 19 | 22295.0001..... | 13 | 28382.0000..... | 7 |
| 01031.0000..... | 19 | 04243.0000..... | 13 | 22295.0002..... | 13 | 28385.1001..... | 15 |
| 01082.0000..... | 11 | 04260.0000..... | 11 | 22295.0012..... | 13 | 28526.1001..... | 11 |
| 01082.0007..... | 11 | 04270.0000..... | 9 | 22295.0015..... | 13 | 28553.0000..... | 19 |
| 01106.0000..... | 15 | 04274.0012..... | 19 | 22295.0016..... | 13 | 28694.0000..... | 19 |
| 01201.0000..... | 9 | 04314.0001..... | 15 | 22295.0017..... | 13 | 29329.1000..... | 11 |
| 01212.0001..... | 9 | 04636.1000..... | 11 | 22295.0018..... | 13 | 32098.0000..... | 11 |
| 01227.0000..... | 17 | 04637.1000..... | 11 | 22306.0000..... | 5 | 32964.0000..... | 19 |
| 01303.0000..... | 7,17 | 04828.0001..... | 17 | 23319.1005..... | 5 | 33088.0000..... | 19 |
| 01308.0000..... | 15 | 04828.1001..... | 17 | 23696.0000..... | 13 | 33529.0002..... | 15 |
| 01308.0003..... | 15 | 05212.0000..... | 17 | 23697.0000..... | 13 | 34061.1005..... | 5 |
| 01315.0000..... | 11,15 | 05515.0000..... | 11 | 23768.0000..... | 11 | 34061.1006..... | 5 |
| 01317.0000..... | 15 | 05518.0000..... | 11 | 23769.0000..... | 11 | 34061.1014..... | 5 |
| 01327.0000..... | 13 | 01075.0000..... | 11 | 24785.0002..... | 17 | 37881.0000..... | 5,7 |
| 01327.0000..... | 15 | 05746.0000..... | 13 | 24805.0000..... | 5 | 37881.0002..... | 7 |
| 01331.0002..... | 19 | 07038.0000..... | 15 | 24805.0000..... | 5 | 38496.1000..... | 7 |
| 01347.0000..... | 15 | 07073.0001..... | 15 | 25102.0000..... | 13 | 38496.1002..... | 7 |
| 01375.0000..... | 15 | 10862.0003..... | 5 | 25102.0001..... | 13 | 38498.1000..... | 7 |
| 01382.0000..... | 5 | 11424.0000..... | 9 | 25105.0000..... | 13 | 38503.1000..... | 7 |
| 01382.0002..... | 5 | 11431.0002..... | 11 | 25105.0003..... | 13 | 38504.1000..... | 7 |
| 01501.0000..... | 15 | 11438.0000..... | 17 | 25105.0004..... | 13 | 38894.0001..... | 15 |
| 01512.0000..... | 15 | 11438.0001..... | 17 | 25137.0000..... | 5 | 38920.0000..... | 15 |
| 01592.0000..... | 5 | 11440.0005..... | 17 | 25144.0002..... | 5 | 40699.0004..... | 15 |
| 01592.0001..... | 7 | 11440.0008..... | 17 | 25144.0011..... | 5 | 40763.0001..... | 13 |
| 01593.0000..... | 5 | 11440.0009..... | 17 | 25158.0002..... | 11 | 40796.0000..... | 11 |
| 01637.0000..... | 15 | 11440.0010..... | 17 | 25158.0005..... | 11 | 41402.1000..... | 5 |
| 01638.0000..... | 15 | 11440.0011..... | 17 | 25319.1000..... | 11 | 41405.0000..... | 5 |
| 01685.0000..... | 13 | 11442.0000..... | 17 | 25319.1001..... | 11 | | |
| 01686.0000..... | 13 | 11630.0001..... | 11 | 25319.1007..... | 11 | | |
| 01925.1000..... | 11 | 12364.0000..... | 5 | 25319.1008..... | 11 | | |
| 01927.0000..... | 11 | 12698.0005..... | 15 | 25319.1016..... | 11 | | |
| 01951.0000..... | 17 | 12919.0000..... | 15 | 25347.0003..... | 15 | | |
| 01951.0001..... | 17 | 12920.0000..... | 13 | 25351.0000..... | 5 | | |
| 02301.0000..... | 13 | 12920.0002..... | 13 | 25351.0001..... | 5 | | |
| 02301.0001..... | 15 | 12921.0000..... | 13 | 25657.0000..... | 5 | | |
| 02308.0000..... | 5,7,15 | 12981.0001..... | 7 | 25657.0001..... | 5 | | |
| 02332.0001..... | 15 | 12984.0002..... | 13 | 25657.0002..... | 5 | | |
| 02332.0002..... | 5 | 12984.0004..... | 13 | 25658.0000..... | 5 | | |
| 02337.0001..... | 13 | 12985.0000..... | 13 | 25658.0002..... | 5 | | |
| 02536.0000..... | 11 | 13042.0001..... | 17 | 25769.0000..... | 15 | | |