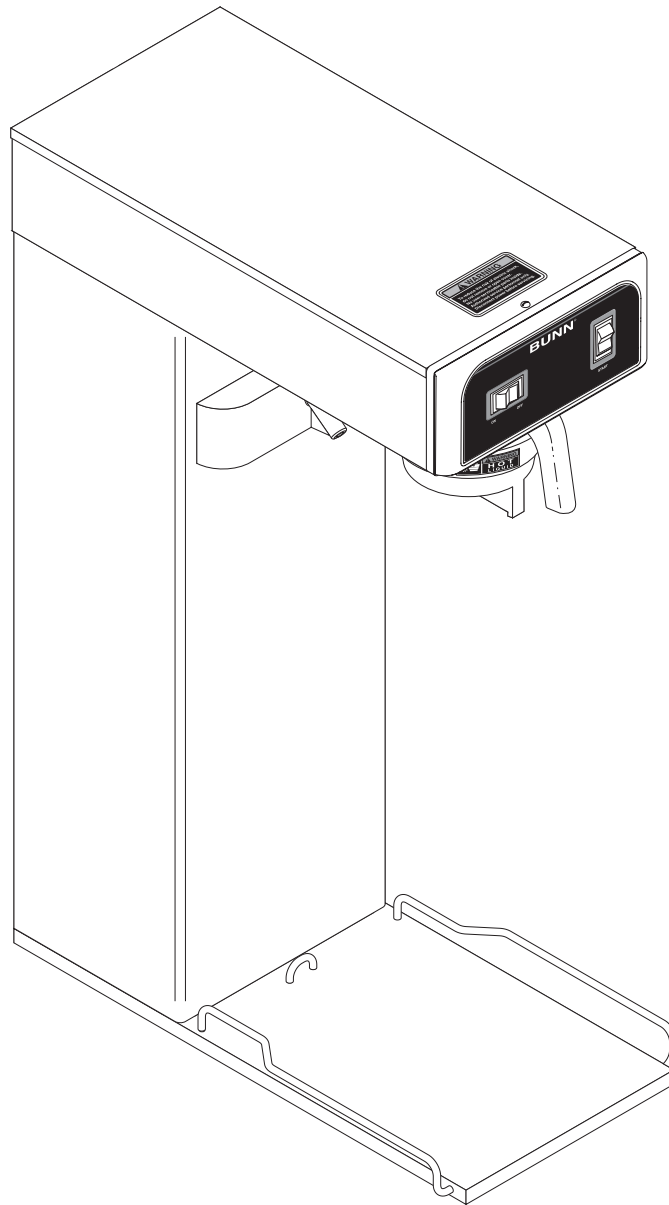


# **BUNN**<sup>®</sup>

# ***TB3***



## **ILLUSTRATED PARTS CATALOG**

Designs, materials, weights, specifications, and dimensions for equipment or replacement parts are subject to change without notice.

**BUNN-O-MATIC CORPORATION**  
POST OFFICE BOX 3227  
SPRINGFIELD, ILLINOIS 62708-3227  
PHONE: (217) 529-6601 FAX: (217) 529-6644

## **BUNN-O-MATIC COMMERCIAL PRODUCT WARRANTY**

Bunn-O-Matic Corp. ("BUNN") warrants equipment manufactured by it as follows:

- 1) All equipment other than as specified below: 2 years parts and 1 year labor.
- 2) Electronic circuit and/or control boards: parts and labor for 3 years.
- 3) Compressors on refrigeration equipment: 5 years parts and 1 year labor.
- 4) Grinding burrs on coffee grinding equipment to grind coffee to meet original factory screen sieve analysis: parts and labor for 3 years or 30,000 pounds of coffee, whichever comes first.

These warranty periods run from the date of installation BUNN warrants that the equipment manufactured by it will be commercially free of defects in material and workmanship existing at the time of manufacture and appearing within the applicable warranty period. This warranty does not apply to any equipment, component or part that was not manufactured by BUNN or that, in BUNN's judgment, has been affected by misuse, neglect, alteration, improper installation or operation, improper maintenance or repair, damage or casualty. This warranty is conditioned on the Buyer 1) giving BUNN prompt notice of any claim to be made under this warranty by telephone at (217) 529-6601 or by writing to Post Office Box 3227, Springfield, Illinois 62708-3227; 2) if requested by BUNN, shipping the defective equipment prepaid to an authorized BUNN service location; and 3) receiving prior authorization from BUNN that the defective equipment is under warranty.

**THE FOREGOING WARRANTY IS EXCLUSIVE AND IS IN LIEU OF ANY OTHER WARRANTY, WRITTEN OR ORAL, EXPRESS OR IMPLIED, INCLUDING, BUT NOT LIMITED TO, ANY IMPLIED WARRANTY OF EITHER MERCHANTABILITY OR FITNESS FOR A PARTICULAR PURPOSE.** The agents, dealers or employees of BUNN are not authorized to make modifications to this warranty or to make additional warranties that are binding on BUNN. Accordingly, statements by such individuals, whether oral or written, do not constitute warranties and should not be relied upon.

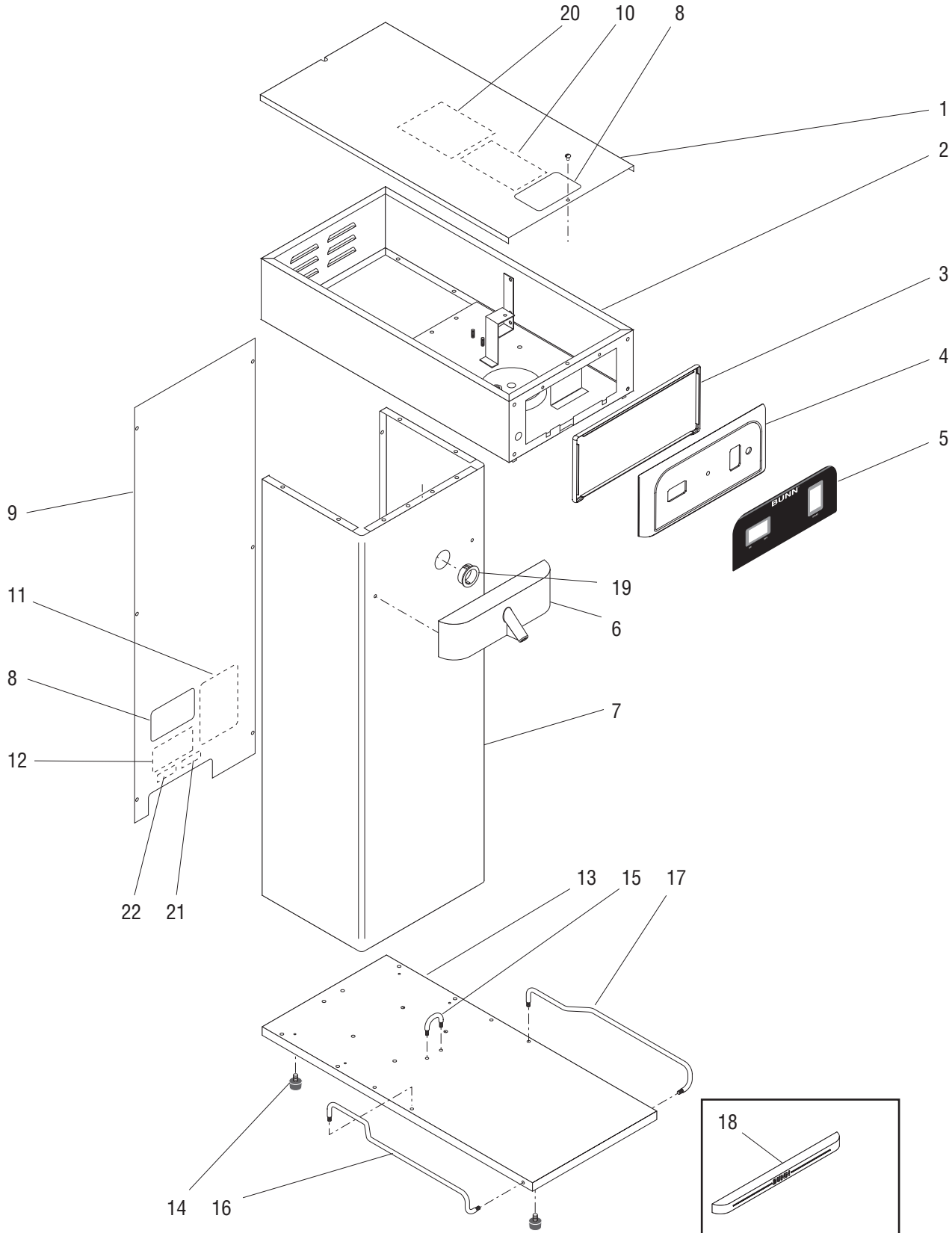
If BUNN determines in its sole discretion that the equipment does not conform to the warranty, BUNN, at its exclusive option while the equipment is under warranty, shall either 1) provide at no charge replacement parts and/or labor (during the applicable parts and labor warranty periods specified above) to repair the defective components, provided that this repair is done by a BUNN Authorized Service Representative; or 2) shall replace the equipment or refund the purchase price for the equipment.

**THE BUYER'S REMEDY AGAINST BUNN FOR THE BREACH OF ANY OBLIGATION ARISING OUT OF THE SALE OF THIS EQUIPMENT, WHETHER DERIVED FROM WARRANTY OR OTHERWISE, SHALL BE LIMITED, AT BUNN'S SOLE OPTION AS SPECIFIED HEREIN, TO REPAIR, REPLACEMENT OR REFUND.**

In no event shall BUNN be liable for any other damage or loss, including, but not limited to, lost profits, lost sales, loss of use of equipment, claims of Buyer's customers, cost of capital, cost of down time, cost of substitute equipment, facilities or services, or any other special, incidental or consequential damages.

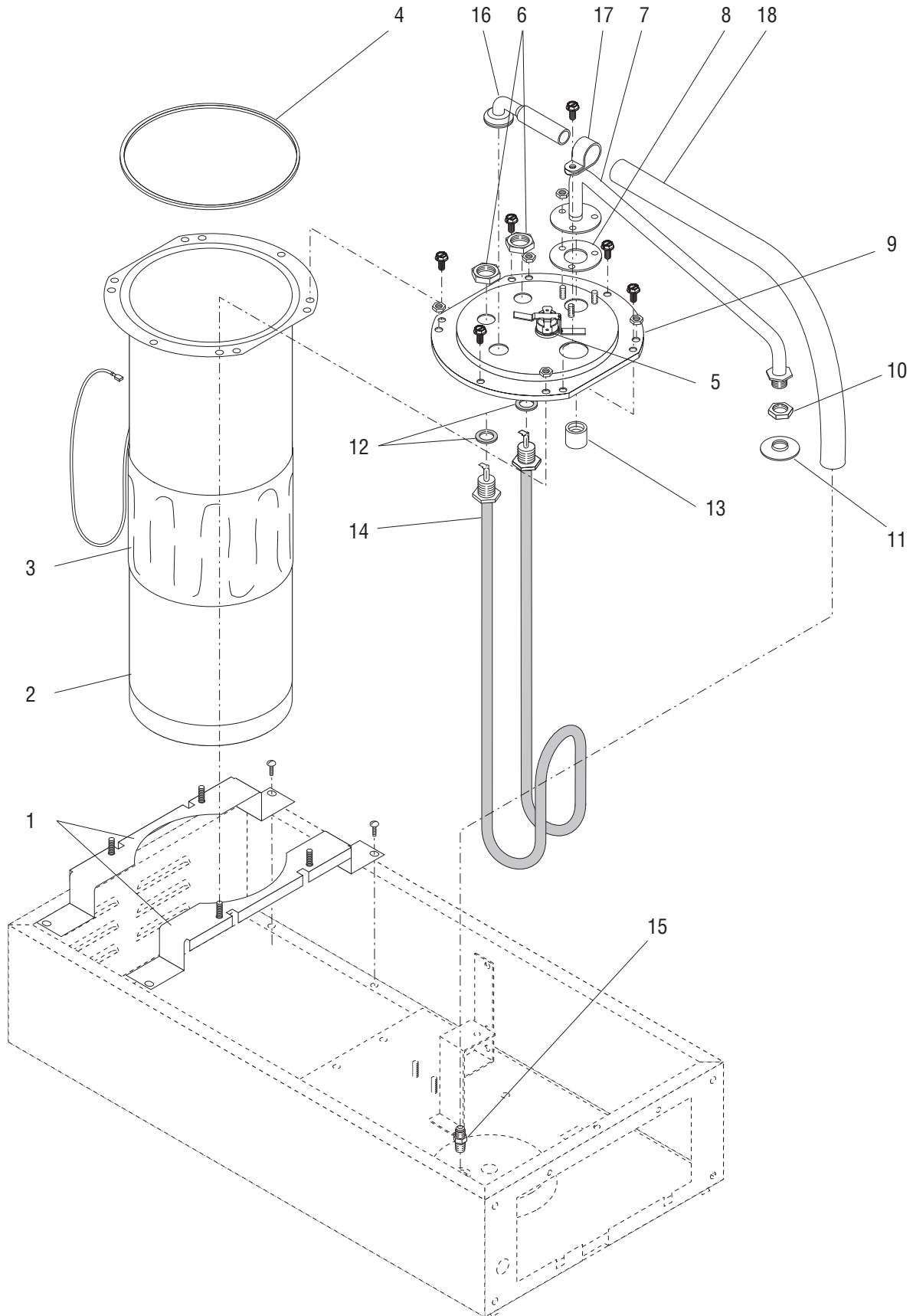
## TABLE OF CONTENTS

Electrical and Operating Controls .....	14
Funnel Assembly .....	16
Numerical Index .....	20
Strainer/Flow Control, Solenoids and Lines.....	8
Sweetner Solenoid & Lines .....	12
Tank Assembly .....	6
Top Cover, Hood, Trunk, Base and Panels .....	4



## TOP COVER, HOOD, TRUNK, BASE AND PANELS

ITEM	PART NO.	QTY.	DESCRIPTION
1	36355.1000	1	Cover, Top (Includes items 8, 10 & 20)(w/o Sweetner)
	36355.1002	1	Cover, Top 100V (Includes items 8 & 20)
	36355.1005	1	Cover, Top (Includes items 8, 10 & 20)(w/ Sweetner)
	01308.0000	1	Screw, Truss Head #6-32 x .25"
2	36584.0001	1	Hood
	02308.0000	8	Screw, Pan Head #8-32 x .38"
3	36586.0000	1	Gasket
4	36580.0001	1	Bezel
	02308.0000	4	Screw, Pan Head #8-32 x .38"
	01502.0000	4	Lockwasher, Split #10
5	36590.0000	1	Decal, Control Panel
	36590.0001	1	Decal, Control Panel (Models w/Ready Light)
	36590.0002	1	Decal, Control Panel (Models w/Sweetner)
	36590.0007	1	Decal, Control Panel (100V models w/Half Batch)
6	39356.0000	1	Nozzle, Dilution
	02332.0005	2	Screw, Hex #6 x .38"
7	36353.1007	1	Trunk 29.0" (Also order item 8)
	36353.1008	1	Trunk 25.75" (Also order item 8)
	02308.0000	6	Screw, Pan Head #8-32 x .38"
8	37881.0000	2	Decal, No Serviceable Parts
9	36356.1003	1	Panel, Back 29.0" (Also order items 8, 11 & 12)
	36356.1004	1	Panel, Back 29.0" (Also order items 8, 11, 12, 21 & 22)
	36356.1005	1	Panel, Back 25.75" (Also order items 8, 11 & 12)
	01311.0001	6	Screw, Truss Head #8-32 x .25"
10	37234.0000	1	Electrical Schematic
	27432.0000	1	Electrical Schematic (Models w/Sweetner)
	37234.0004	1	Electrical Schematic (100V models w/Half Batch)
11	00831.0000	1	Decal, Warning - Electrical
12	00656.0000	1	Decal, Comply to Plumbing Code
13	36362.0000	1	Base (Early Models w/Trim)
	36362.0001	1	Base (New Models w/o Trim)
14	25137.0001	4	Foot
15	36412.0000	1	Rail, Stop
	00970.0000	2	Nut, Keps #8-32
16	36461.0000	1	Guide Rail, Left
	00970.0000	2	Nut, Keps #8-32
17	36462.0000	1	Guide Rail, Right
	00970.0000	2	Nut, Keps #8-32
18	36361.0000	1	Trim, Base Cover (Early Models)
	01308.0002	2	Screw, Truss Head, Locking #6-32 x .25"
	02332.0005	2	Screw, Hex #6 x .38"
19	01592.0001	1	Snap Bushing
20	32540.0000	1	Decal, Batch Set, Digital Timer (Brew Volume only)
21	26371.0000	1	Decal, Water Inlet (Models w/Sweetner)
22	26371.0001	1	Decal, Sweetner Inlet (Models w/Sweetner)



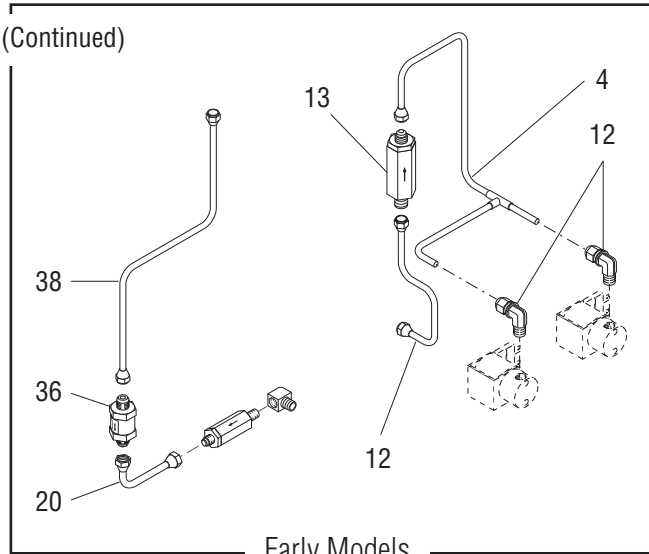
## TANK ASSEMBLY

ITEM	PART NO.	QTY.	DESCRIPTION
1	36582.0000	2	Bracket, Tank Mounting
	02308.0000	4	Screw, Pan Head #8-32 x .375"
2	03068.0000	1	Tank
	00908.0000	4	Nut, Hex #8-32
3	03468.0000	1	Blanket Warmer, 55W 100 & 120V
	03470.0000	1	Blanket Warmer, 55W 230V
4	04844.0000	1	Gasket, Tank Lid
5	29329.1000	1	Thermostat, Limit 15 amp
6	00942.0000	2	Nut, Hex .50"-20
7	36576.0000	1	Sprayhead Tube
	00908.0000	3	Nut, Hex #8-32
8	05515.0000	1	Gasket, Sprayhead Tube
9	03370.1001	1	Kit, Lid Assembly (Includes 4 & 16-18)
	02337.0002	6	Screw, Hex Head Thread Forming #10 x .50"
10	01075.0000	1	Nut, Hex .438"-20
11	01082.0000	1	Sprayhead, 6 Hole
	01082.0003	1	Sprayhead, 7 Hole
12	00943.0000	2	Gasket, Tank Heater
13	05518.0000	1	Syphon Hub
14	03070.1000	1	Tank Heater, 1680W 120V (Includes Gaskets)
	03297.1000	1	Tank Heater, 1680W 100V (Includes Gaskets)
	03299.1000	1	Tank Heater, 1680W 230V (Includes Gaskets)
15	00406.0001	1	Fitting, .375" Tube x .125" MPT
16	38969.0001	1	Fitting, 90° Tank Vent, Silicon
17	00620.0000	1	Clamp
18	32591.0025*	1	Tubing, Silicone .50" ID x 13" ( <u>Order # 19</u> )

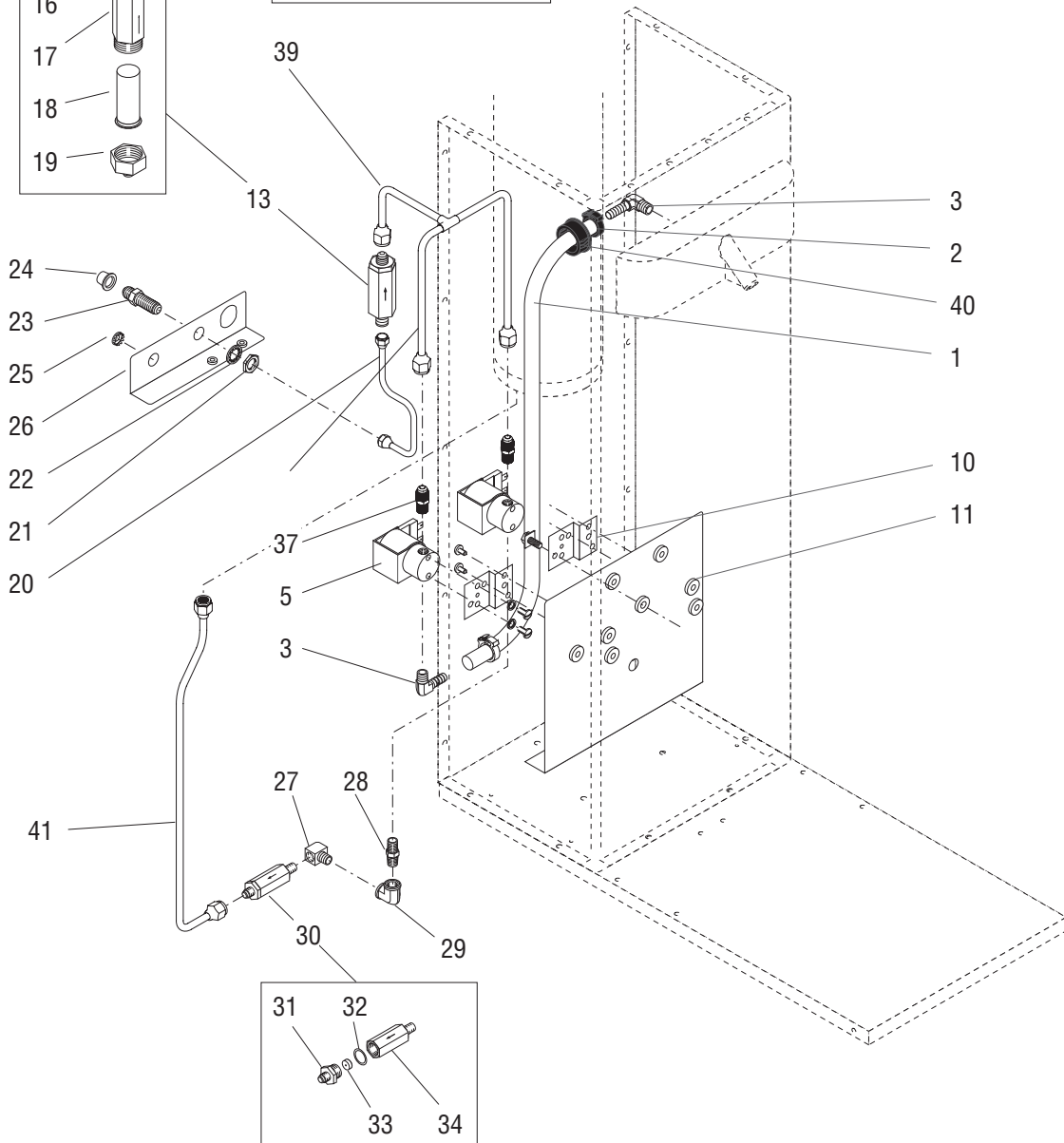
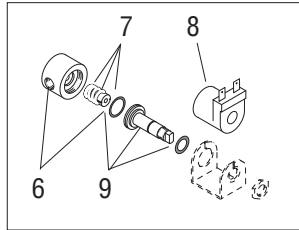
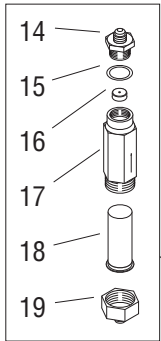
**The following items are not illustrated**

19	32591.1002	-	Tubing, Silicone .50" ID x 36" (Cut to length)
20	37233.1006	1	Tank Kit 1680W 120V
	37233.1009	1	Tank Kit 1680W 230V

(Continued)



Early Models



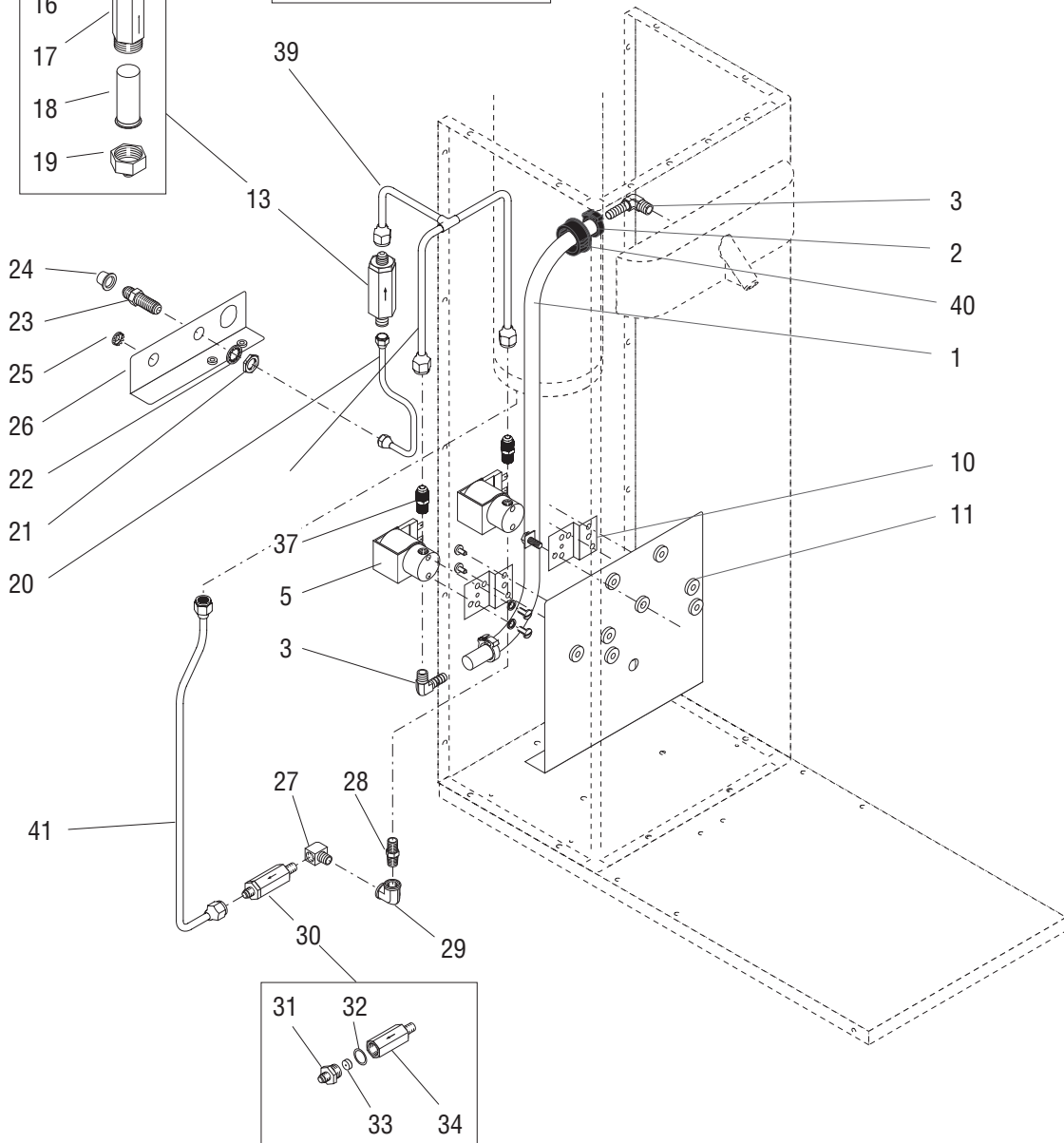
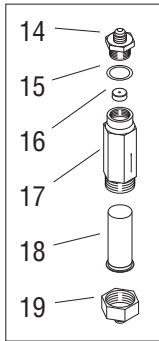
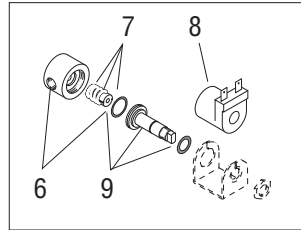
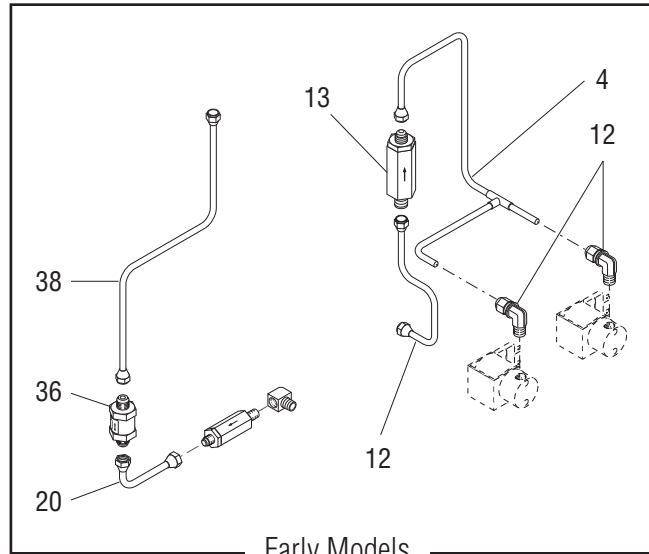


## STRAINER/FLOW CONTROL, SOLENOIDS AND LINES

ITEM	PART NO.	QTY.	DESCRIPTION
1	11707.0005*	1	Tube, Silicone .250" I.D. x 31.0" LG (Order item 43)(Models with 29.0" Trunk)
	11707.0019*	1	Tube, Silicone .250" I.D. x 28.0" LG (Order item 43)(Models with 25.75" Trunk)
2	12422.0000	2	Clamp, Hose - Snap Type .47"/.54" I.D.
3	00464.0001	2	Elbow, .250" Barb x .125" MPT (1 Included in dilution nozzle kit)
4	36595.0000	1	Tube Assembly, Strainer to Solenoid Valves
5	01085.0002	2	Solenoid Valve, 120V (Includes items 6 - 9)
	01975.0000	2	Solenoid Valve, 240V (Includes items 6 - 9)
	01138.0000	2	Solenoid Valve, 100V (Includes items 6 - 9)
	01327.0000	4	Screw, Pan Head #10-32 x .375"
	01502.0000	4	Lockwasher, Split #10
6	28479.0000	1	Solenoid Valve Base 120V
	01079.0000	1	Solenoid Valve Base 100V & 240V
7	01111.0002	1	Solenoid Valve Repair Kit 120V (Includes Plunger, Seal and Spring)
	01111.0000	1	Solenoid Valve Repair Kit 100V & 240V (Includes Plunger, Seal and Spring)
8	28480.0000	1	Solenoid Valve Coil 120V
	01100.0000	1	Solenoid Valve Coil 240V
	01139.0000	1	Solenoid Valve Coil 100V
9	28481.0000	1	Guide 120V
	01116.0000	1	Guide 100V & 240V
10	07441.0000	2	Bracket
	01315.0000	4	Screw, Truss Head #8-32 x .38"
11	36420.0001	1	Bracket
	02308.0000	2	Screw, Pan Head #8-32 x .38"
12	00465.0001	2	Elbow Assembly .125" MPT x .250" Tube
13	37855.0750	1	Strainer/Flow Control Assembly (Includes items 14 thru 19)
	22300.0330	1	Strainer/Flow Control Assembly (Includes items 14 thru 19)(Models w/Half Batch)
14	36687.0000	1	Fitting, Flow Control Outlet
	01154.0000	1	Fitting, Flow Control Outlet (Models w/Half Batch)
15	01155.0000	1	Gasket, Flow Control
16	37857.1750	1	Flow Washer/Gasket Kit (.750 GPM) (Includes item 15)
	20526.1330	1	Flow Washer/Gasket Kit (.330 GPM) (Includes item 15)(Models w/Half Batch)
17	-----	1	Body (Not Available. Order item 13)
18	23721.0000	1	Screen
19	22249.0000	1	Fitting, Flow Control Inlet
20	37954.0000	1	Tube Assy, Bulkhead to Strainer (Includes item 13)
	37954.0001	1	Tube Assy, Bulkhead to Strainer (Includes item 13)(Models w/Half Batch)

(Continued)

\* Indicates the part number listed is for reference only. See DESCRIPTION for possible service replacement.



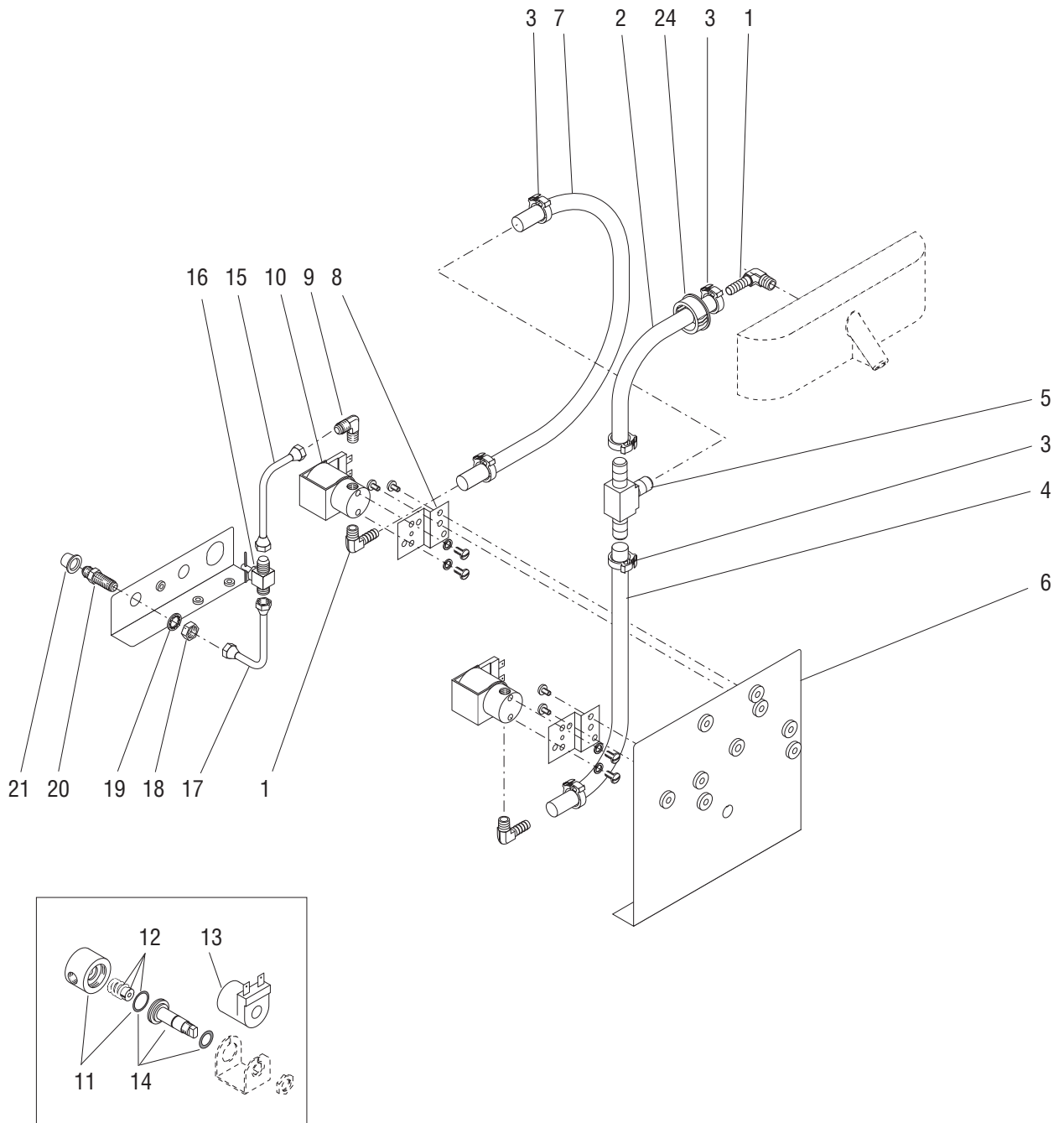
## STRAINER/FLOW CONTROL, SOLENOIDS AND LINES

ITEM	PART NO.	QTY.	DESCRIPTION
21	00463.0000	1	Nut, Hex - Brass .438"-20
22	01532.0000	1	Lockwasher, Internal Tooth .438"
23	00459.0000	1	Fitting, Bulkhead .250" Flare
24	22145.0000	1	Cap (For shipping purposes only)
25	00669.0002	1	Plug (Units without Sweetner)
26	36421.1002	1	Bracket, Bulkhead
	02308.0000	2	Screw, Pan Head #8-32 x .38"
27	00432.0001	1	Elbow, .125" NPT Male/Female
28	00412.0001	1	Nipple, Hex .125" MPT
29	00435.0001	1	Elbow, .125" NPT Female
30	20528.1195	1	Flow Control Assembly (.195 GPM) (Includes items 31 thru 34)
31	01154.0001	1	Fitting, Flow Control Outlet
32	01155.0000	1	Gasket, Flow Control
33	20526.1195	1	Flow Washer/Gasket Kit (.195 GPM) (Includes item 32)
34	-----	1	Body, Flow Control (Not Available. Order item 30)
35	00310.0002	1	Tube Assembly, Flow Control to Check Valve
36	01171.0001	1	Valve, Check
	01170.0000	1	Check Valve Repair Kit (Contains a gasket, spring & seat assembly)
37	00402.0001	2	Connector, .25" Male Flare x .125" NPT (Early Models)
38	36596.0000	1	Tube Assembly, Check Valve to Tank (Models with 29.0" Trunk)
	36596.0001	1	Tube Assembly, Check Valve to Tank (Models with 25.75" Trunk)
39	38460.0000	1	Tube Assembly, Strainer to Solenoid Valves (Newer Models)
40	01592.0001	1	Snap Bushing
41	39778.0000	1	Tube Assembly, Flow Control to Tank (Models with 29.0" Trunk)
	39784.0000	1	Tube Assembly, Flow Control to Tank (Models with 25.75" Trunk)

**The following items are not illustrated**

42	11707.1001	-	Tube, Silicone .250" I.D. x .50" O.D. x 36" LG
	11707.1002	-	Tube, Silicone .250" I.D. x .50" O.D. x 120" LG

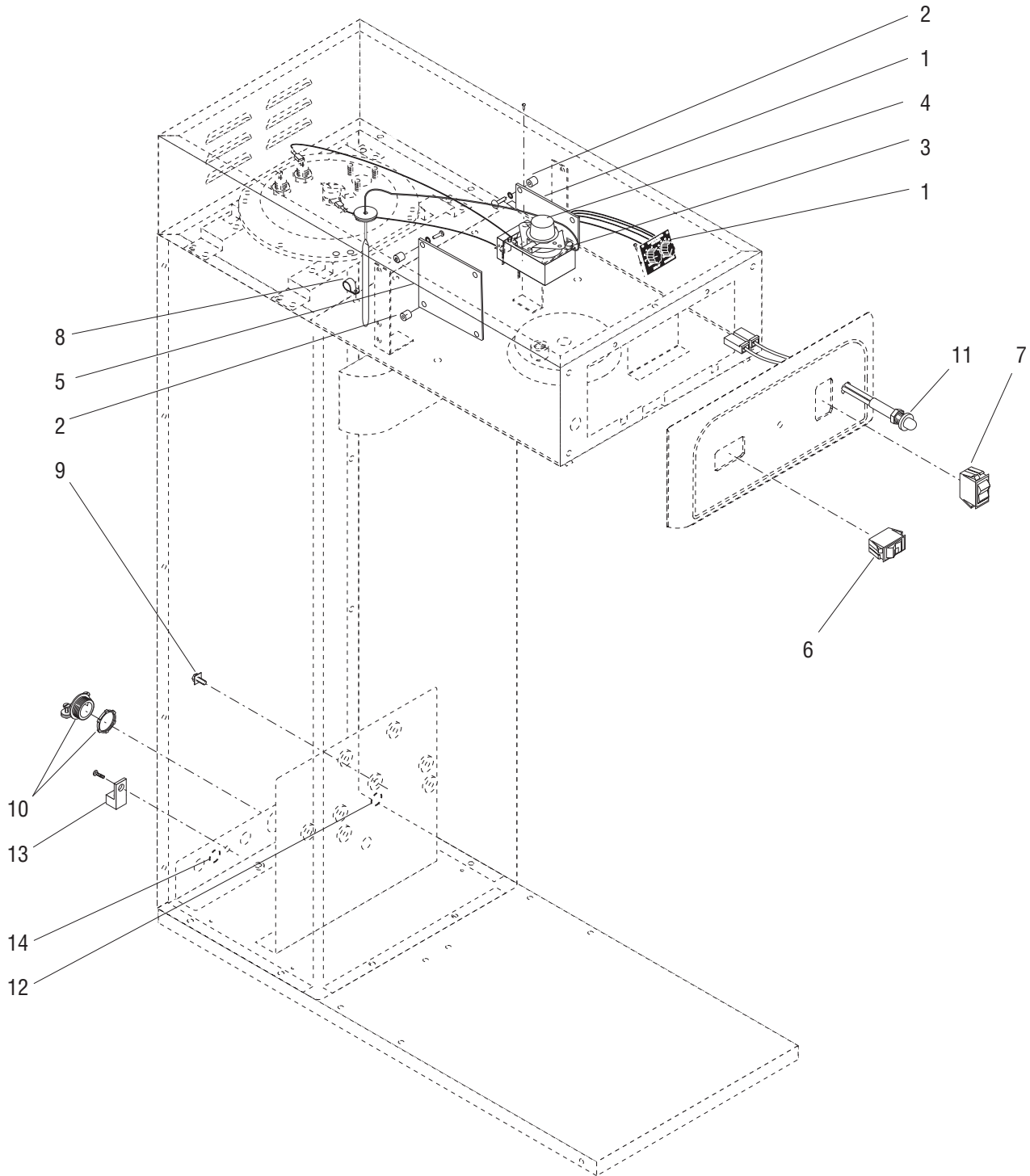
\* Indicates the part number listed is for reference only. See DESCRIPTION for possible service replacement.



## SWEETNER SOLENOID AND LINES (OPTIONAL)

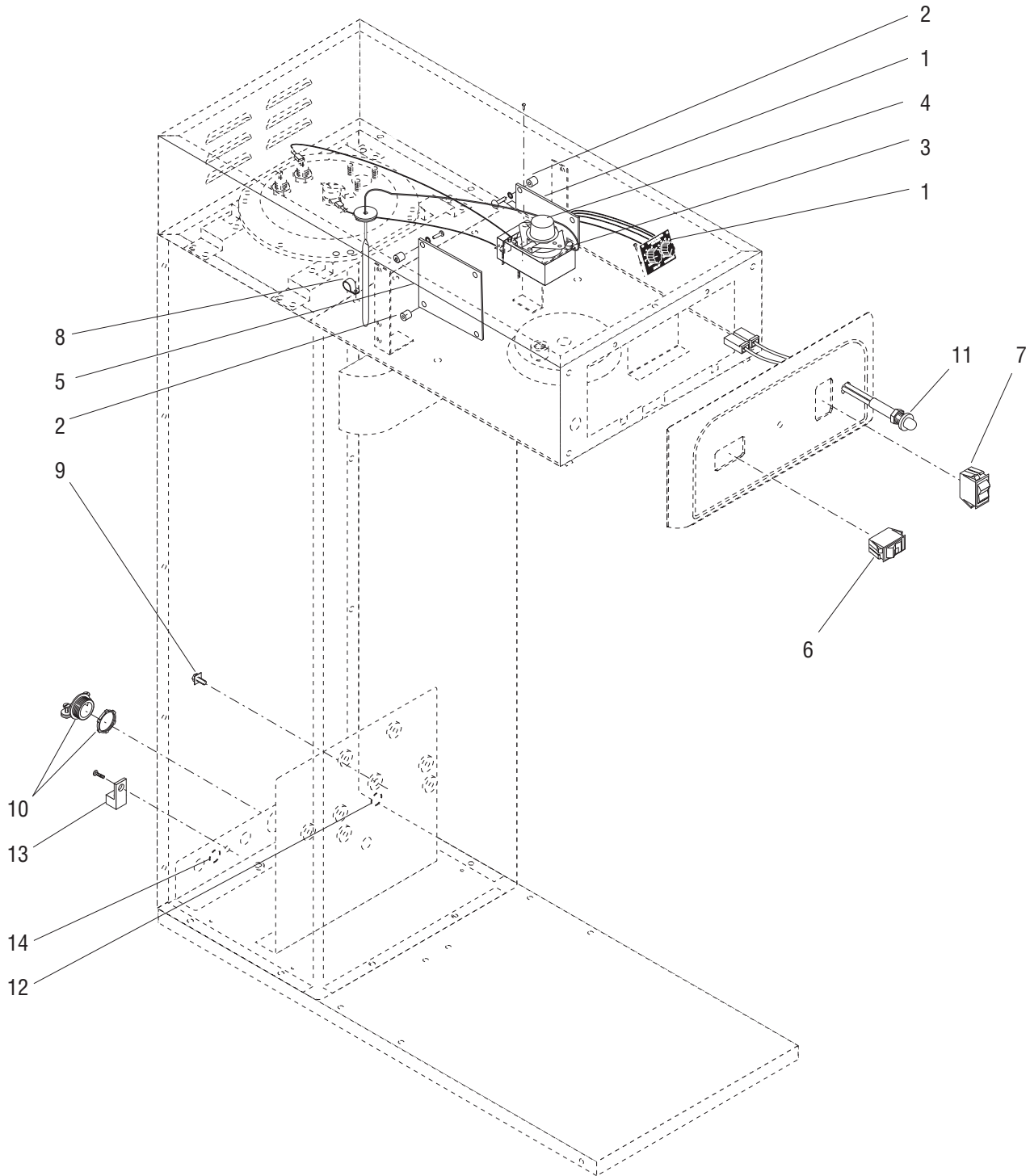
ITEM	PART NO.	QTY.	DESCRIPTION
1	00464.0001	2	Elbow .250" Barb x .125" MPT (1 Included in dilution nozzle kit)
2	11707.0019*	1	Tube, Silicone .250" I.D. x 12.0" LG (Order item 23)
3	12422.0000	6	Clamp, Hose - Snap Type .47"/.54" I.D.
4	11707.0007*	1	Tube, Silicone .250" I.D. x 21.0" LG (Order item 23)
5	22150.0001	1	Tee .25" Barb
6	36420.0001	1	Bracket
	02308.0000	2	Screw, Pan Head #8-32 x .38"
7	11707.0015*	1	Tube, Silicone .250" I.D. x 15.0" LG (Order item 23)
8	07441.0000	2	Bracket
	01315.0000	4	Screw, Truss Head #8-32 x .38"
9	00400.0001	1	Elbow .25" Flare x .125" MPT
10	01085.0000	2	Solenoid Valve, 120V (Includes items 11 - 14)
	01327.0000	4	Screw, Pan Head #10-32 x .375"
	01502.0000	4	Lockwasher, Split #10
11	01079.0000	1	Solenoid Valve Base
12	01111.0000	1	Solenoid Valve Repair Kit (Includes Plunger, Seal and Spring)
13	01101.0000	1	Solenoid Valve Coil, 120V
14	01116.0000	1	Guide
15	00310.0009	1	Tube (Refer to item 22)
16	00484.0002	1	Needle valve (Refer to item 22)
17	00310.0010	1	Tube (Refer to item 22)
18	00463.0000	1	Nut, Hex - Brass .438"-20
19	01532.0000	1	Lockwasher, Internal Tooth .438"
20	00459.0000	1	Fitting, Bulkhead .250" Flare
21	22145.0000	1	Cap (For shipping purposes only)
22	37490.0000	-	Tube Kit (Includes ites 15 - 17)
23	11707.1001	-	Tube, Silicone .250" I.D. x .50" O.D. x 36" LG
	11707.1002	-	Tube, Silicone .250" I.D. x .50" O.D. x 120" LG
24	01592.0001	1	Snap Bushing

\* Indicates the part number listed is for reference only. See DESCRIPTION for possible service replacement.



## ELECTRICAL AND OPERATING CONTROLS

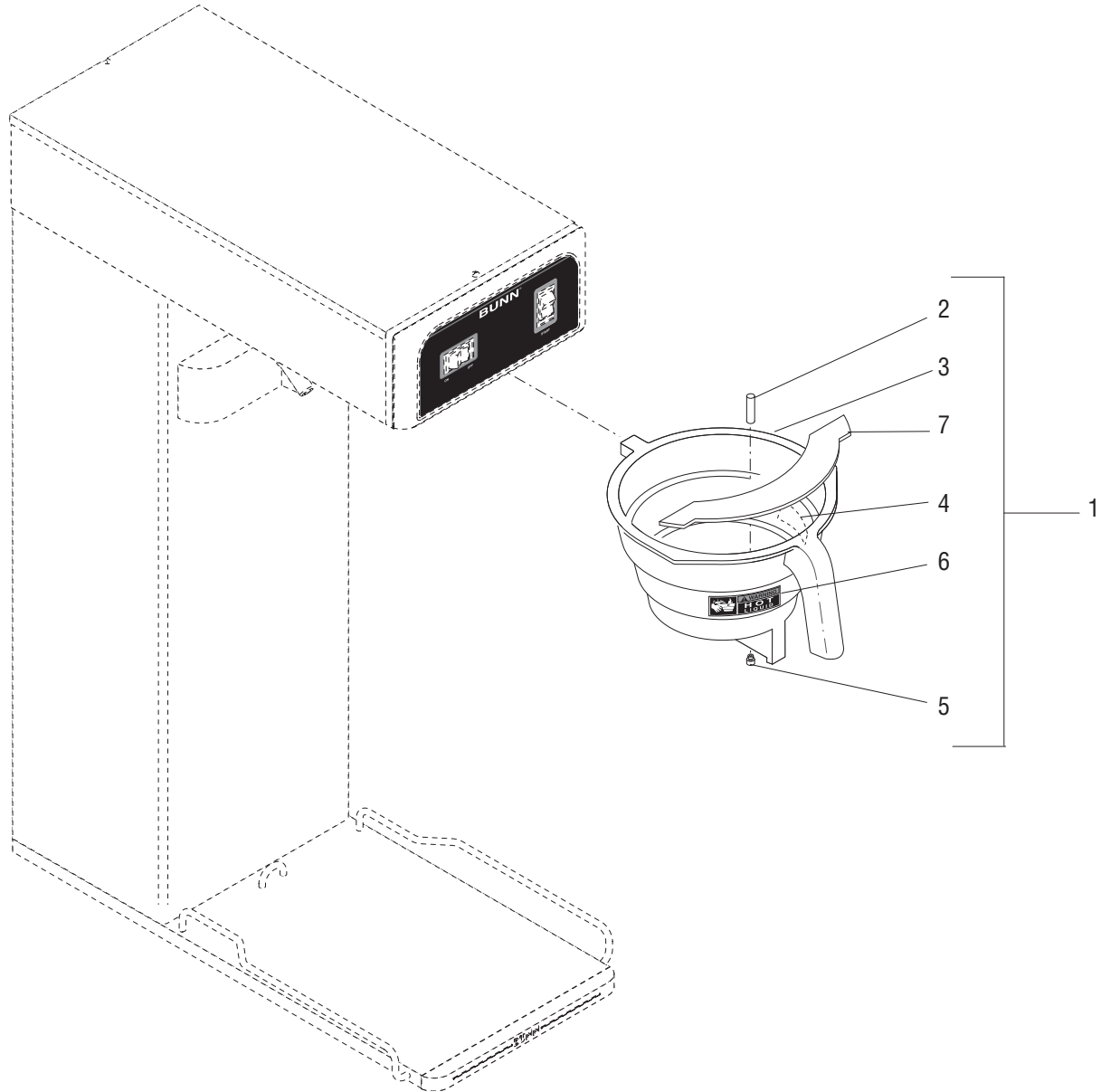
ITEM	PART NO.	QTY.	DESCRIPTION
1	03355.1000	1	Timer, Delay/Dilution - 100V & 120V
	38728.1000	1	Timer, Delay/Dilution - 240V (RoHS)
	03355.1003	1	Timer, Delay/Dilution - 120V w/Half Batch
	01347.0000	2	Screw, Truss Head Serrated #6-32 x .375"
	01388.0000	2	Screw, Pan Head #6-32 x .75"
	01510.0000	2	Lockwasher, External Tooth #6
2	01533.0000	4	Spacer, .171" I.D. x .375" O.D. x .375" LG
3	03024.0005	1	Thermostat Kit 120V (Includes item 4)
	01347.0000	1	Screw, Truss Head Serrated #6-32 x .375" } Mounting
	01510.0000	1	Lockwasher, External Tooth #6
	20762.0000	2	Screw, Binding Head #8-32 x .25 (Terminal)
	10003.0000	1	Tag, Thermostat
4	00720.0000	1	Knob, Thermostat
5	32400.0002	1	Digital Timer, Brew - 100V & 120V
	38582.1000	1	Digital Timer, Brew - 230V (RoHS)
	01388.0000	2	Screw, Pan Head #6-32 x .75"
	01510.0000	2	Lockwasher, External Tooth #6
6	37080.0000	1	Switch, ON/OFF (Black) - 100V & 120V
	03356.0003	1	Switch, UNSWEET/OFF/SWEET (Black)(Models with Sweetner Kit)
	28305.0000	1	Switch, ON/OFF (Black) - 230V
7	37079.0000	1	Switch, Start (Black) - 100V & 120V
	28303.0000	1	Switch, Start (Black) - 230V
8	00603.0000	1	Clamp, Cable
9	01309.0000	1	Screw, Power Cord Ground - Pan Head W/Washer #10-32 x .50" (Early models)
	37804.0000	1	Screw, Power Cord Ground - Pan Head W/Washer #8-32 x .50" (Late models)
10	01685.0000	1	Cable Connector 230V (Shown)
	00707.0000	1	Bushing, Strain Relief 120V
11	12984.0002	1	Ready Light (Models with Ready Light)
12	00824.0000	2	Decal, Ground
13	27705.0000	1	Terminal Lug
	02308.0000	4	Screw, Pan Head #8-32 x .38"
14	00824.0001	1	Decal, Equipotentiality (CE Only)
<b>Items lited below are not illustrated</b>			
15	21000.0725	1	Lead, Warmer Blanket to Main Harness 18AWG BLK 12.0" LG
	21001.0723	1	Lead, Warmer Blanket to Main Harness 18AWG WHI 12.0" LG
16	01637.0006	1	Cord, Power 120V & 100V
	27728.0001	1	Cord, Power 230V
17	03739.0000	1	Wiring Harness, Main 120V & 100V
	03740.0001	1	Wiring Harness, Main 230V
18	00617.0000	-	Tie, Cable 3.9" LG
19	21016.9004	1	Lead 16AWG BLU/BLK 16.0" LG





## ELECTRICAL AND OPERATING CONTROLS

ITEM	PART NO.	QTY.	DESCRIPTION
20	21016.9005	1	Lead 16AWG BLK 18.0" LG
21	06064.0000	1	Label, Cord Warning
22	12985.0000	1	Wiring Harness, Ready Light (Models with Ready Light)
23	36451.0000	1	Wiring Harness, Sweetner Solenoid (Models with Sweetner Kit)
24	28173.0000	1	Thermal Cut Off, WHI 14.0" - 230V
25	04776.0001	1	Thermal Cut Off, 4.5" - 230V



## FUNNEL ASSEMBLY

ITEM	PART NO.	QTY.	DESCRIPTION
1	03021.0004	1	Funnel Assembly, Brew Tea - Smoke (.082" Dia Tip) (Includes items 2 thru 7)
2	03284.0000	1	Adaptor W/Screen, Funnel (See item 8)
3	-----	1	Funnel, Brew Tea - Smoke (Not Available. Order item 1)
4	03408.0000	1	Decal, Caution - Remove Funnel
5	03407.0000	1	Funnel Tip .082 " Dia (See item 8)
6	03409.0000	1	Decal, Caution - Hot Liquid
7	32965.0000	1	Splashgard
8	01037.0002	-	Funnel Tip & Screen Kit (.082" Dia Tip) (Includes items 2 & 5)

NUMERICAL INDEX

PART NO.	PAGE NO.	PART NO.	PAGE NO.	PART NO.	PAGE NO.	PART NO.	PAGE NO.
00310.0002.....	11	01347.0000.....	15	21001.0723.....	15	36596.0000.....	11
00310.0009.....	13	01388.0000.....	15	21016.9004.....	15	36596.0001.....	11
00310.0010.....	13	01502.0000.....	5,9,13	21016.9005.....	17	36687.0000.....	9
00400.0001.....	13	01510.0000.....	15	22145.0000.....	11,13	37079.0000.....	15
00402.0001.....	11	01532.0000.....	11,13	22150.0001.....	13	37080.0000.....	15
00406.0001.....	7	01533.0000.....	15	22249.0000.....	9	37233.1006.....	7
00412.0001.....	11	01592.0001.....	5,11,13	22300.0330.....	9	37233.1009.....	7
00432.0001.....	11	01637.0006.....	15	23721.0000.....	9	37234.0000.....	5
00435.0001.....	11	01685.0000.....	15	25137.0001.....	5	37234.0004.....	5
00459.0000.....	11,13	01975.0000.....	9	26371.0000.....	5	37490.0000.....	13
00463.0000.....	11,13	02308.0000.....	5,7,9,11,13,15	26371.0001.....	5	37804.0000.....	15
00464.0001.....	9,13	02332.0005.....	5	27432.0000.....	5	37855.0750.....	9
00465.0001.....	9	02337.0002.....	7	27705.0000.....	15	37857.1750.....	9
00484.0002.....	13	03021.0004.....	19	27728.0001.....	15	37881.0000.....	5
00603.0000.....	15	03024.0005.....	15	28173.0000.....	17	37954.0000.....	9
00617.0000.....	15	03068.0000.....	7	28303.0000.....	15	37954.0001.....	9
00620.0000.....	7	03070.1000.....	7	28305.0000.....	15	38460.0000.....	11
00656.0000.....	5	03284.0000.....	19	28479.0000.....	9	38582.1000.....	15
00669.0002.....	11	03297.1000.....	7	28480.0000.....	9	38728.1000.....	15
00707.0000.....	15	03299.1000.....	7	28481.0000.....	9	38969.0001.....	7
00720.0000.....	15	03355.1000.....	15	29329.1000.....	7	39356.0000.....	5
00824.0000.....	15	03355.1003.....	15	32400.0002.....	15	39778.0000.....	11
00824.0001.....	15	03356.0003.....	15	32540.0000.....	5	39784.0000.....	11
00831.0000.....	5	03370.1001.....	7	32591.0025.....	7		
00908.0000.....	7	03407.0000.....	19	32591.1002.....	7		
00942.0000.....	7	03408.0000.....	19	32965.0000.....	19		
00943.0000.....	7	03409.0000.....	19	36353.1007.....	5		
00970.0000.....	5	03468.0000.....	7	36353.1008.....	5		
01037.0002.....	19	03470.0000.....	7	36355.1000.....	5		
01075.0000.....	7	03739.0000.....	15	36355.1002.....	5		
01079.0000.....	9,13	03740.0001.....	15	36355.1005.....	5		
01082.0000.....	7	04776.0001.....	17	36356.1003.....	5		
01082.0003.....	7	04844.0000.....	7	36356.1004.....	5		
01085.0000.....	13	05515.0000.....	7	36356.1005.....	5		
01085.0002.....	9	05518.0000.....	7	36361.0000.....	5		
01100.0000.....	9	06064.0000.....	17	36362.0000.....	5		
01101.0000.....	13	07441.0000.....	9,13	36362.0001.....	5		
01111.0000.....	9,13	10003.0000.....	15	36412.0000.....	5		
01111.0002.....	9	11707.0005.....	9	36420.0001.....	9,13		
01116.0000.....	9,13	11707.0007.....	13	35421.1002.....	11		
01138.0000.....	9	11707.0015.....	13	36451.0000.....	17		
01139.0000.....	9	11707.0019.....	9,13	36461.0000.....	5		
01154.0000.....	9	11707.1001.....	11,13	36462.0000.....	5		
01154.0001.....	11	11707.1002.....	11,13	36576.0000.....	7		
01155.0000.....	9,11	12422.0000.....	9,13	36580.0001.....	5		
01170.0000.....	11	12984.0002.....	15	36582.0000.....	7		
01171.0001.....	11	12985.0000.....	17	36584.0001.....	5		
01308.0000.....	5	20526.1195.....	11	36586.0000.....	5		
01308.0002.....	5	20526.1330.....	9	36590.0000.....	5		
01309.0000.....	15	20528.1195.....	11	36590.0001.....	5		
01311.0001.....	5	20554.0001.....	11	36590.0002.....	5		
01315.0000.....	9,13	20762.0000.....	15	36590.0007.....	5		
01327.0000.....	9,13	21000.0725.....	15	36595.0000.....	9		