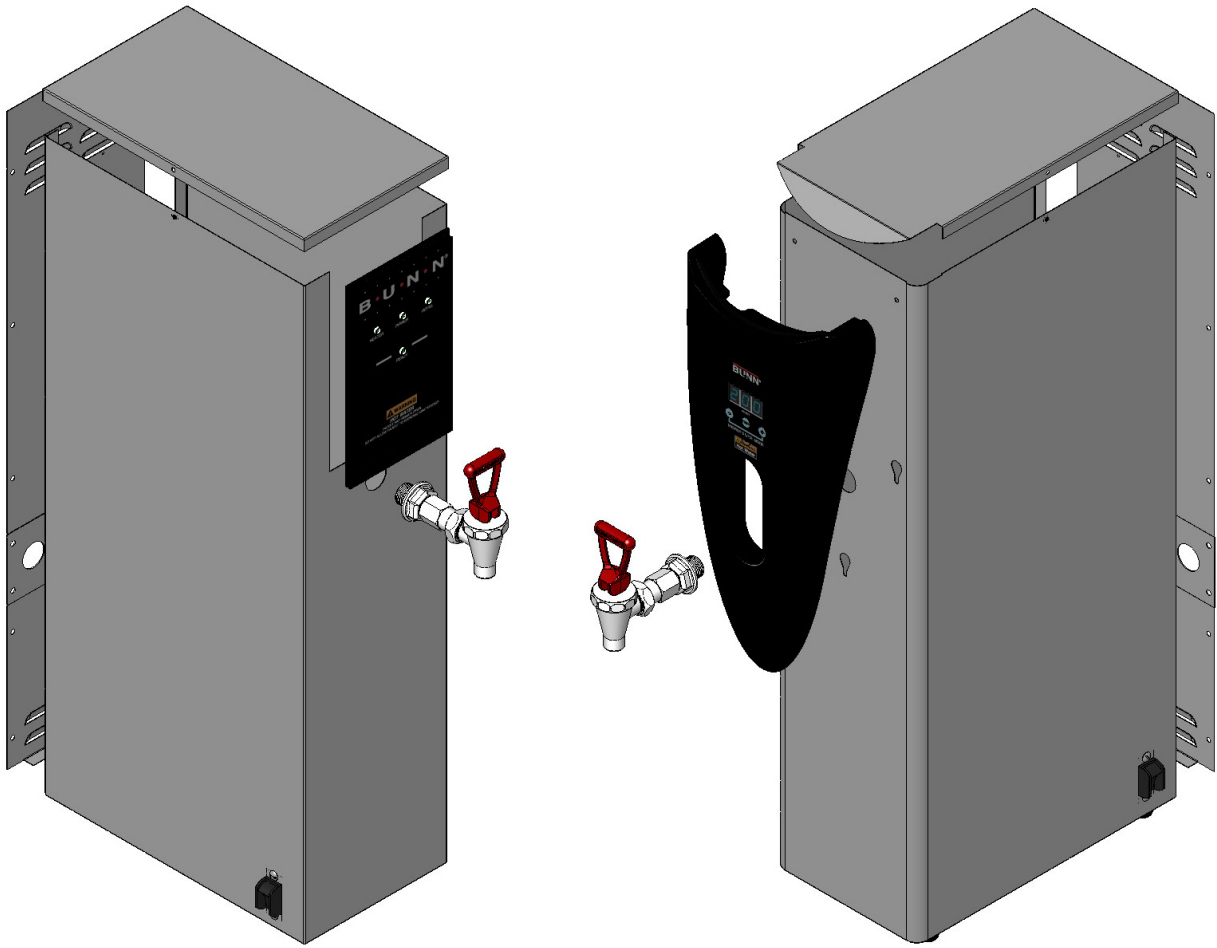


# BUNN®

# H5E/M/X H5 ELEMENT



## ILLUSTRATED PARTS CATALOG

Designs, materials, weights, specifications, and dimensions for equipment or replacement parts are subject to change without notice.

**BUNN-O-MATIC CORPORATION**

POST OFFICE BOX 3227

SPRINGFIELD, ILLINOIS 62708-3227

PHONE: (217) 529-6601 FAX: (217) 529-6644



## **BUNN-O-MATIC COMMERCIAL PRODUCT WARRANTY**

Bunn-O-Matic Corp. ("BUNN") warrants equipment manufactured by it as follows:

- 1) All equipment other than as specified below: 2 years parts and 1 year labor.
- 2) Electronic circuit and/or control boards: parts and labor for 3 years.
- 3) Compressors on refrigeration equipment: 5 years parts and 1 year labor.
- 4) Grinding burrs on coffee grinding equipment to grind coffee to meet original factory screen sieve analysis: parts and labor for 3 years or 30,000 pounds of coffee, whichever comes first.

These warranty periods run from the date of installation BUNN warrants that the equipment manufactured by it will be commercially free of defects in material and workmanship existing at the time of manufacture and appearing within the applicable warranty period. This warranty does not apply to any equipment, component or part that was not manufactured by BUNN or that, in BUNN's judgment, has been affected by misuse, neglect, alteration, improper installation or operation, improper maintenance or repair, damage or casualty. This warranty is conditioned on the Buyer 1) giving BUNN prompt notice of any claim to be made under this warranty by telephone at (217) 529-6601 or by writing to Post Office Box 3227, Springfield, Illinois 62708-3227; 2) if requested by BUNN, shipping the defective equipment prepaid to an authorized BUNN service location; and 3) receiving prior authorization from BUNN that the defective equipment is under warranty.

**THE FOREGOING WARRANTY IS EXCLUSIVE AND IS IN LIEU OF ANY OTHER WARRANTY, WRITTEN OR ORAL, EXPRESS OR IMPLIED, INCLUDING, BUT NOT LIMITED TO, ANY IMPLIED WARRANTY OF EITHER MERCHANTABILITY OR FITNESS FOR A PARTICULAR PURPOSE.** The agents, dealers or employees of BUNN are not authorized to make modifications to this warranty or to make additional warranties that are binding on BUNN. Accordingly, statements by such individuals, whether oral or written, do not constitute warranties and should not be relied upon.

If BUNN determines in its sole discretion that the equipment does not conform to the warranty, BUNN, at its exclusive option while the equipment is under warranty, shall either 1) provide at no charge replacement parts and/or labor (during the applicable parts and labor warranty periods specified above) to repair the defective components, provided that this repair is done by a BUNN Authorized Service Representative; or 2) shall replace the equipment or refund the purchase price for the equipment.

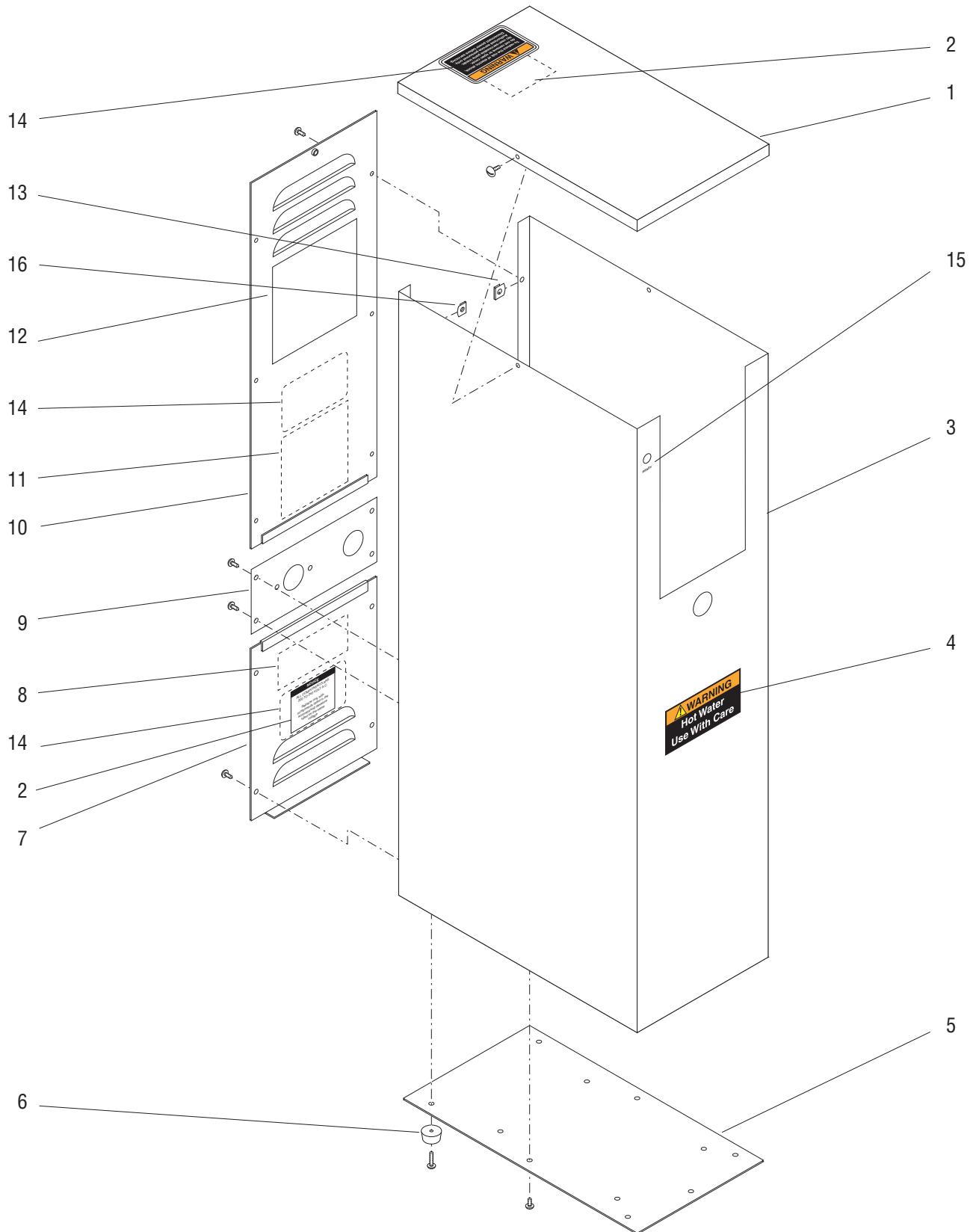
**THE BUYER'S REMEDY AGAINST BUNN FOR THE BREACH OF ANY OBLIGATION ARISING OUT OF THE SALE OF THIS EQUIPMENT, WHETHER DERIVED FROM WARRANTY OR OTHERWISE, SHALL BE LIMITED, AT BUNN'S SOLE OPTION AS SPECIFIED HEREIN, TO REPAIR, REPLACEMENT OR REFUND.**

In no event shall BUNN be liable for any other damage or loss, including, but not limited to, lost profits, lost sales, loss of use of equipment, claims of Buyer's customers, cost of capital, cost of down time, cost of substitute equipment, facilities or services, or any other special, incidental or consequential damages.

392, AutoPOD, AXIOM, BrewLOGIC, BrewMETER, Brew Better Not Bitter, BrewWISE, BrewWIZARD, BUNN Espresso, BUNN Family Gourmet, BUNN Gourmet, BUNN Pour-O-Matic, BUNN, BUNN with the stylized red line, BUNNlink, Bunn-OMatic, Bunn-O-Matic, BUNNserve, BUNNSERVE with the stylized wrench design, Cool Froth, DBC, Dr. Brew stylized Dr. design, Dual, Easy Pour, EasyClear, EasyGard, FlavorGard, Gourmet Ice, Gourmet Juice, High Intensity, iMIX, Infusion Series, Intellisteam, My Café, Phase Brew, PowerLogic, Quality Beverage Equipment Worldwide, Respect Earth, Respect Earth with the stylized leaf and coffee cherry design, Safety-Fresh, savemycoffee.com, Scale-Pro, Silver Series, Single, Smart Funnel, Smart Hopper, SmartWAVE, Soft Heat, SplashGard, The Mark of Quality in Beverage Equipment Worldwide, ThermoFresh, Titan, trifacta, Velocity Brew, A Partner You Can Count On, Air Brew, Air Infusion, Beverage Bar Creator, Beverage Profit Calculator, Brew better, not bitter., BUNNSource, Coffee At Its Best, Cyclonic Heating System, Daypart, Digital Brewer Control, Nothing Brews Like a BUNN, Pouring Profits, Signature Series, Tea At Its Best, Phase Brew, The Horizontal Red Line, Ultra are either trademarks or registered trademarks of Bunn-O-Matic Corporation.

## TABLE OF CONTENTS

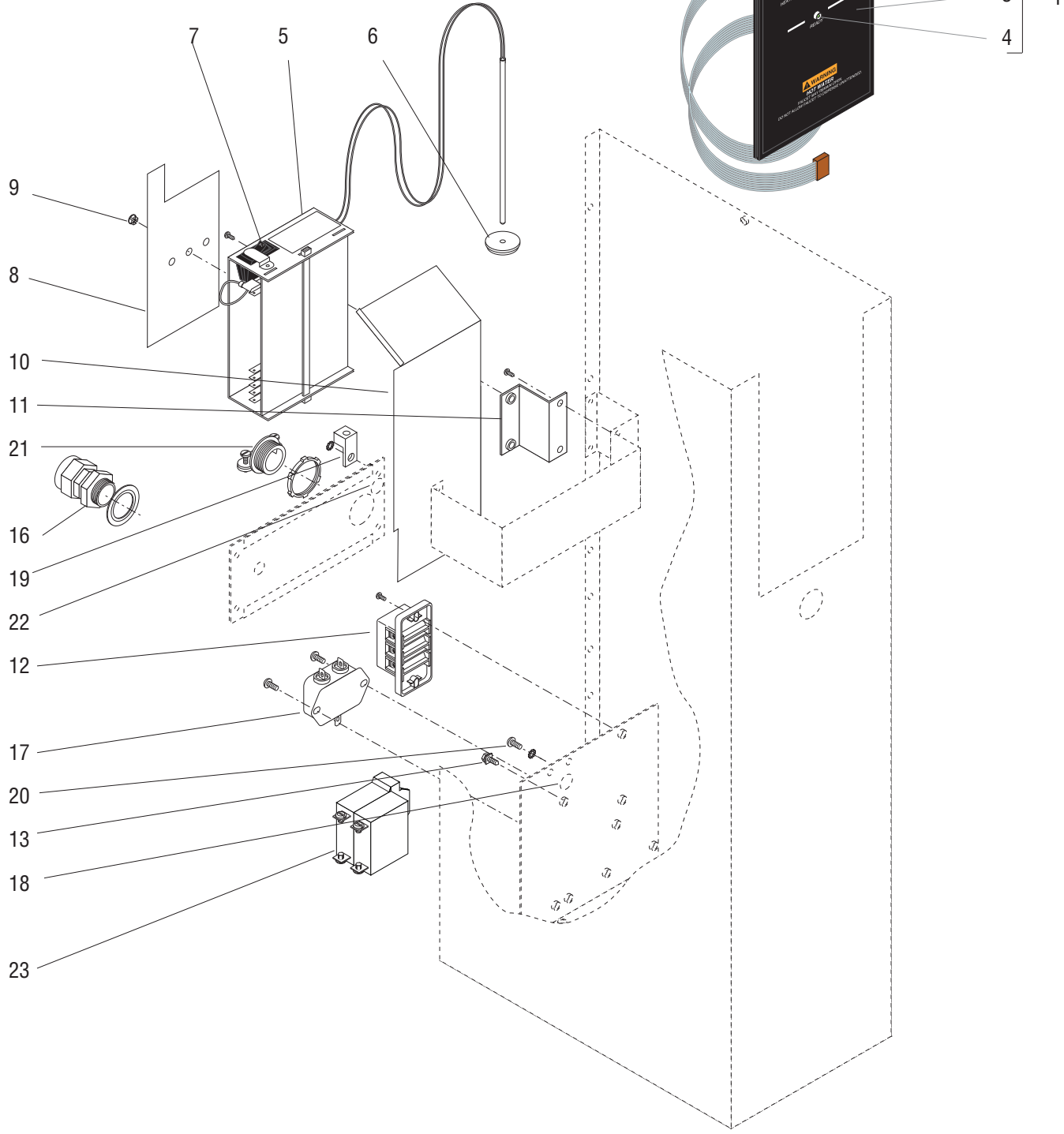
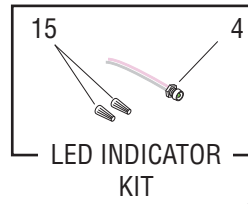
Housing, Covers & Panels .....	4
Electronic Control & Decorative Panel With Indicator Lights (Early Models) .....	6
Digital Control Board & Electrical Components (Late Models) .....	10
Mechanical Thermostat & Decorative Front Panel.....	14
Tank Heater & Safety Devices .....	18
Tank & Faucet .....	22
Strainer/Flow Control - Solenoid & Water Lines (Early Models).....	24
Water Inlet Valve & Lines (Late Models) .....	28
Wall Brackets, Drip Tray & Wire Shelf .....	30
Parts Unique to H5 Element .....	32
Numerical Index.....	34



## HOUSING, COVERS & PANELS

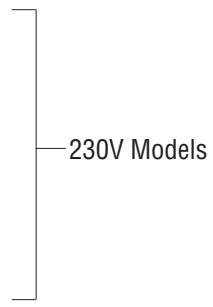
ITEM	PART NO.	QTY.	DESCRIPTION
1	27353.0000 01303.0000	1 3	Cover W/Decal (Includes item 14) (For 208 & 240V Dispensers also order item 2) Screw, Pan Head #4 - 40 X .50"
2	12537.0000*	2	Decal - Notice 200-240V Components (Used on 208 & 240V Dispensers only)
3	23535.0000 23535.0002 23535.0001 23535.0003	1 1 1 1	Housing W/Decal (Includes item 4) Housing W/Decal (Includes item 4)(Dispensers w/Master ON/OFF Switch) Housing W/Decal (Includes items 4 & 15)(Dispensers W/Ready Light) Housing W/Decal (Includes items 4 & 15)(Dispensers W/Ready Light & Master ON/OFF Switch)
4	12593.0000	1	Decal, Warning Very Hot Water (Not used on 72° & 100° F Dispensers)
5	12509.0000 01315.0000	1 7	Plate, Bottom Screw, Truss Head #8 - 32 X .38"
6	00731.0000 01390.0000	4 4	Foot, Rubber Screw, Round Head #8 - 32 X .62"
7	23534.0000 12506.1002 12506.1003 12506.1004 12506.1005 01311.0000	1 1 1 1 1 4	Panel W/Decal, Rear - Lower SST (Includes items 8 & 14) Panel W/Decal, Rear - Lower Red (Includes items 8 & 14) Panel W/Decal, Rear - Lower Copper (Includes items 8 & 14) Panel W/Decal, Rear - Lower Black (Includes items 8 & 14) Panel W/Decal, Rear - Lower White (Includes items 8 & 14) Screw, Truss Head #8 - 32 X .25"
8	00656.0001	1	Decal, Comply To Plumbing Code
9	12507.0000 12507.0001 12507.1003 12507.1004 12507.1005 12507.1006 01311.0000 01317.0000	1 1 1 1 1 1 3 1	Panel, Rear - Middle SST (Early Models) Panel, Rear - Middle SST (Late Models) Panel, Rear - Middle Red (Late Models) Panel, Rear - Middle Copper (Late Models) Panel, Rear - Middle Black (Late Models) Panel, Rear - Middle White (Late Models) Screw, Truss Head #8 - 32 X .25" Screw, Truss Head #8 - 32 X .50"
10	23533.0001 12510.1001 12510.1002 12510.1003 12510.1004 01311.0000 01315.0000	1 1 1 1 1 5 1	Panel W/Decal, Rear - Upper SST (Includes items 11 & 14) (Also order item 12) Panel W/Decal, Rear - Upper Red (Includes items 11 & 14) (Also order item 12) Panel W/Decal, Rear - Upper Copper (Includes items 11 & 14) (Also order item 12) Panel W/Decal, Rear - Upper Black (Includes items 11 & 14) (Also order item 12) Panel W/Decal, Rear - Upper White (Includes items 11 & 14) (Also order item 12) Screw, Truss Head #8 - 32 X .25" Screw, Truss Head #8 - 32 X .38"
11	00831.0000	1	Decal, Warning - Electrical
12	10331.0000 40708.0000 10332.0000 40710.0000 10410.0000 40709.0000 10411.0000 40711.0000 10262.0000* 10243.0000 ----- ----- 40712.0000	1 1 1 1 1 1 1 1 1 1 1 1 1	Schematic, Electrical 120V H5E Schematic, Electrical 120V H5E (w/ Digital Control Board) Schematic, Electrical 208-240V H5E Schematic, Electrical 208-240V H5E (w/ Digital Control Board) Schematic, Electrical 120V H5X Schematic, Electrical 120V H5X (w/ Digital Control Board) Schematic, Electrical 208-240V H5X Schematic, Electrical 208-240V H5X (w/ Digital Control Board) Schematic, Electrical 240V (Dispensers W/Ready Light) Schematic, Electrical 120V (Dispensers W/Ready Light) Schematic, Electrical 230V H5MA Schematic, Electrical 230V H5EA, H5XA Schematic, Electrical 230V H5EA, H5XA (w/ Digital Control Board)
13	00917.0000	9	Clip, J-Type #8 - 32
14	37881.0000	3	Decal, No Serviceable Parts
15	20749.0000	1	Decal, Ready
16	00912.0000	1	Clip, J-Type #8 - 32

\* Indicates the part number listed is for reference only. See DESCRIPTION for possible service replacement.



## ELECTRONIC CONTROL & DECORATIVE PANEL WITH INDICATOR LIGHTS (Early Models)

ITEM	PART NO.	QTY.	DESCRIPTION
1	21112.1000	1	Panel Assy W/LED Indicators, H5E/H5X (Includes items 2, 3 & 4)
2	21033.0000	1	Panel W/Decal (Includes item 3)
3	21031.0000	1	Decal, Decorative - Front Panel
4	-----	4	LED, Indicator (Order item 14)
5	-----	1	Control Assy, Electronic (Includes item 6 - 9)(Order new Kit, CBA H5 Retrofit)
	41185.0000	1	Kit, CBA H5 Retrofit, Digital 120V & 240V
	41185.0001	1	Kit, CBA H5 Retrofit, Digital 230V CE
	01311.0000	2	Screw, Pan Head #8 - 32 x .25"
6	12570.0000	1	Grommet, Temp. Sensor
7	04786.0002	1	Switch, On/Off
8	12559.0000	1	Decal, Caution/Warning
9	00619.0002	1	Plug, Hole .250" Dia.
10	22920.0000	1	Shield, ECA Control
11	22921.0000	1	Bracket, Electronic Control Mounting
	02308.0000	2	Screw, Pan Head #8 - 32 x .375"
12	01106.0000	1	Terminal Block, 2 Pole (White/Black)
	01106.0001	1	Terminal Block, 2 Pole (Red/Black)
	01106.0003	1	Terminal Block, 2 Pole (Blue/Brown)
	07038.0000	1	Terminal Block, 3 Pole (Red/White/Black) (Shown)
	01317.0000	2	Screw, Truss Head #8 - 32 x .50"
13	01309.0000	1	Ground Screw W/Terminal Washer #10 - 32 x .50" (Early Models)
	37804.0000	1	Ground Screw W/Terminal Washer #8 - 32 x .50" (Late Models)
14	12517.0001	1	Kit, LED Indicator (Includes one LED & item 15)(Not Illustrated)
	25292.0000	1	Lockwasher M6
	34130.0000	1	Nut M6
15	01570.0000	2	Wire Nut, 2-24 AWG Min. Yellow
16	32833.0000	1	Strain Relief, Cord
	01531.0000	1	Washer, Reducing
17	29446.0000	1	EMI Filter
	01311.0000	2	Screw, Truss Head #8-32 x .25"
18	00824.0000	1	Decal, Ground
19	27705.0000	1	Terminal Lug
	01512.0000	1	Lockwasher, Ext. tooth #10



(Continued)

\* Indicates the part number listed is for reference only. See DESCRIPTION for possible service replacement.



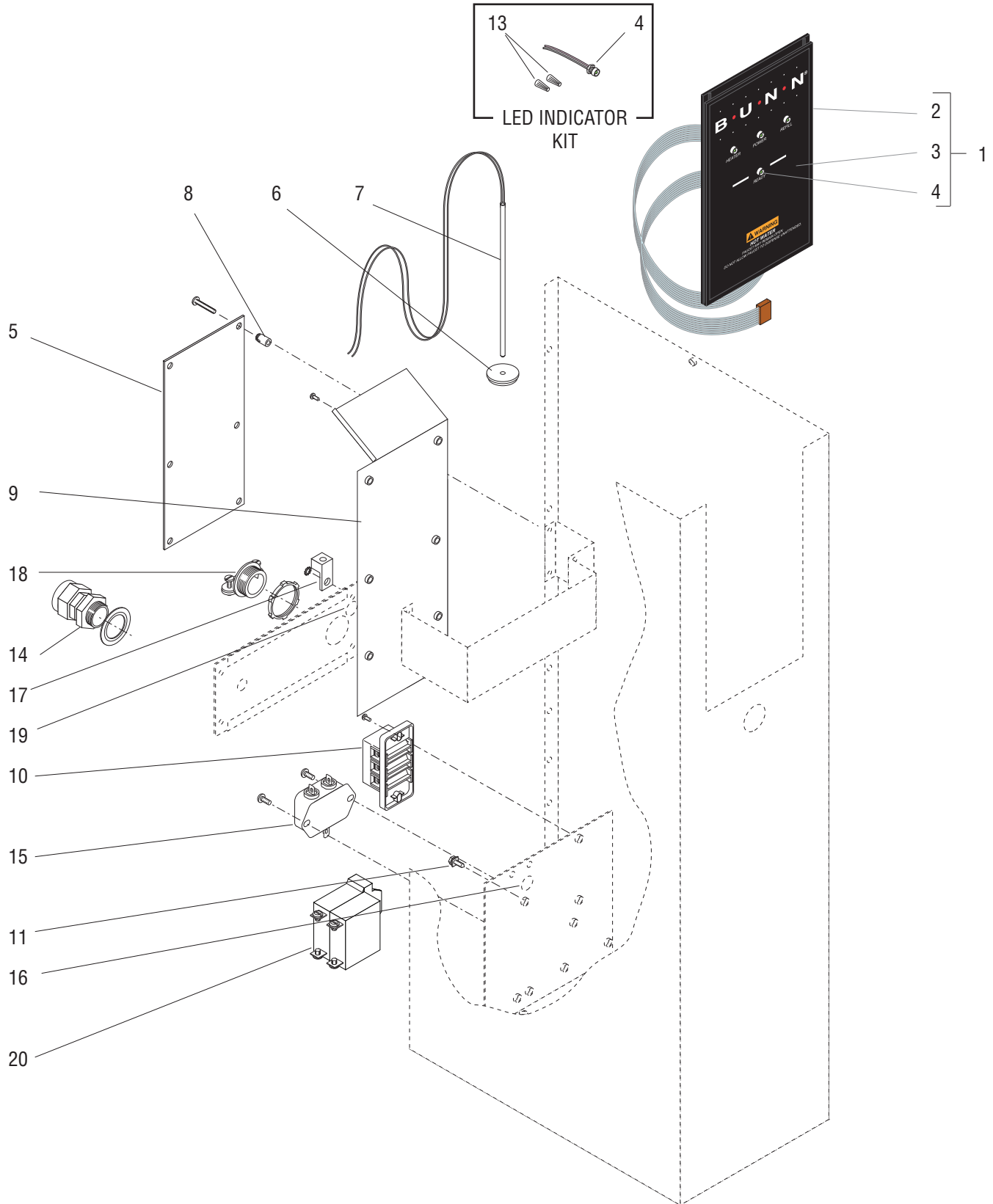
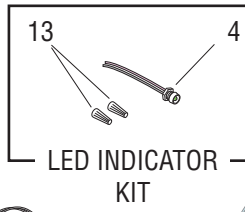


## ELECTRONIC CONTROL & DECORATIVE PANEL WITH INDICATOR LIGHTS (Early Models)

ITEM	PART NO.	QTY.	DESCRIPTION
20	23531.0000	1	Screw (230V)
	01511.0000	1	Lockwasher, Ext. tooth #8
			} Early Models
21	01590.0000	1	Cable Connector
22	00824.0001	1	Decal, Ground
23	38894.0001	1	Switch, Master ON/OFF
	01308.0002	2	Screw, Truss Head, Locking #6-32 x .25" (Mounting)
	01327.0000	4	Screw, Pan Head #10-32 x .38"
	01512.0000	4	Lockwasher #10
			} Terminals

**The following items are not illustrated**

24	12575.0002	1	Wiring Harness, 120V
	12576.0004	1	Wiring Harness, 208-240V
	12576.0002	1	Wiring Harness, 230V
25	21014.0034	1	Lead Assy, 14AWG Blk 7.0" Tank Heater to Limit (120/240V)
	27945.0000	1	Lead, Thermal Cut-off, Blk 8.5" (230V)
26	38920.0000	1	Wiring Harness, Master Switch 40-240V 200° F
	38920.0004	1	Wiring Harness, Master Switch 18-120V 85-115° F
27	23799.0001	1	Power Cord (Models with Power Cord)



**DIGITAL CONTROL BOARD & ELECTRICAL COMPONENTS (Late Models)**

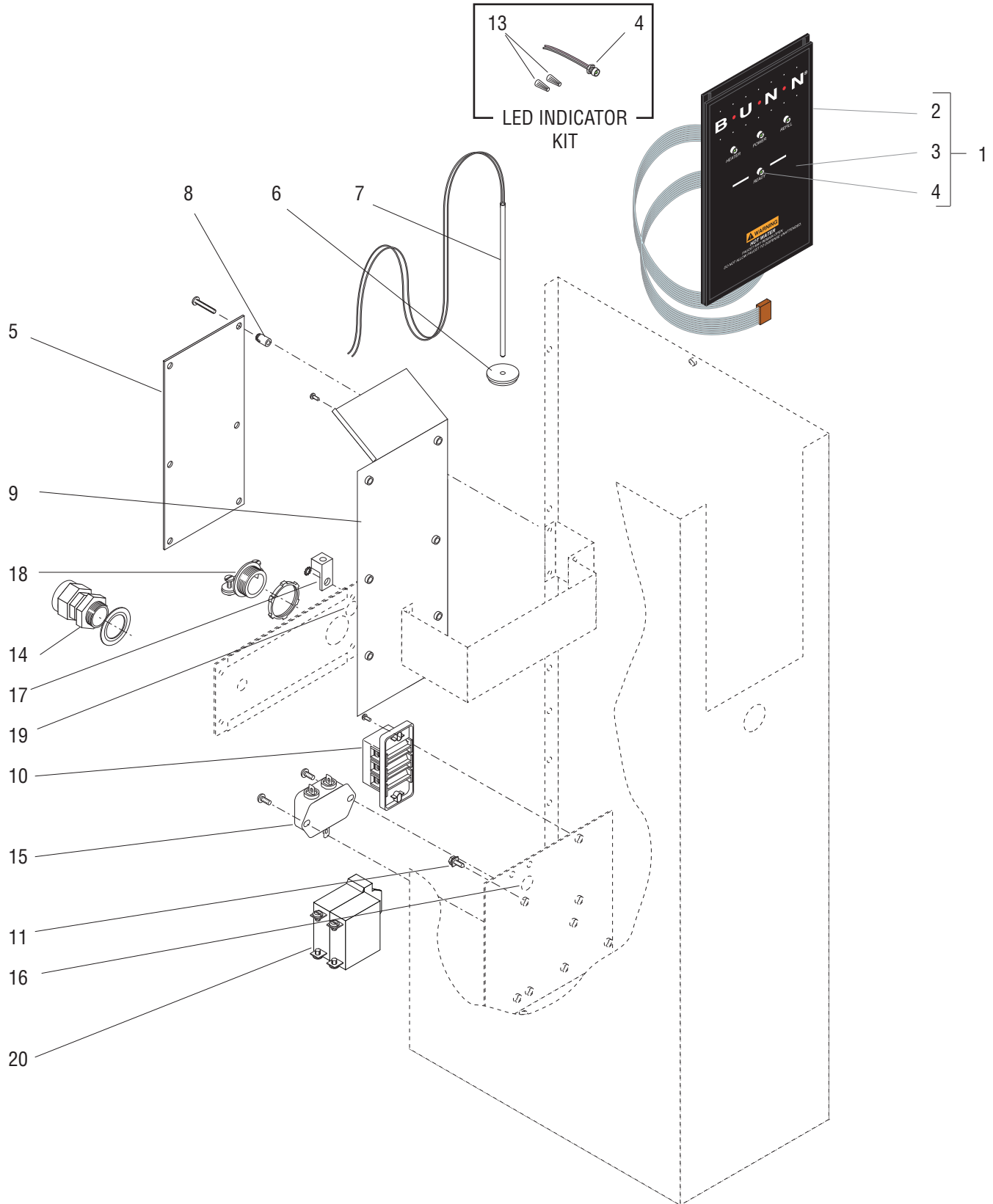
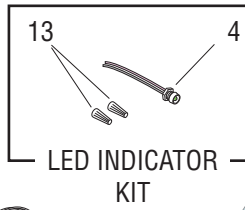
ITEM	PART NO.	QTY.	DESCRIPTION
1	21112.1000	1	Panel Assy W/LED Indicators (Includes items 2, 3 & 4)
2	21033.0000	1	Panel W/Decal (Includes item 3)
3	21031.0000	1	Decal, Decorative - Front Panel
4	-----	4	LED, Indicator (Order item 14)
5	40697.1000	1	Control Board, Digital 120V & 240V
	40697.1001	1	Control Board, Digital 230V CE
	01388.0000	6	Screw, Pan Head #8 - 32 x .25"
6	12570.0000	1	Grommet, Temp. Sensor
7	12568.0007	1	Sensor, Temperature
8	29081.0000	6	Spacer
9	39217.0000	1	Bracket, Control Board Mounting
10	01106.0000	1	Terminal Block, 2 Pole (White/Black)
	01106.0001	1	Terminal Block, 2 Pole (Red/Black)
	01106.0003	1	Terminal Block, 2 Pole (Blue/Brown)
	07038.0000	1	Terminal Block, 3 Pole (Red/White/Black) (Shown)
	01317.0000	2	Screw, Truss Head #8 - 32 x .50"
11	37804.0000	1	Ground Screw W/Terminal Washer #8 - 32 x .50" (Late Models)
12	12517.0001	1	Kit, LED Indicator (Includes one LED & item 15)(Not Illustrated)
	25292.0000	1	Lockwasher M6
	34130.0000	1	Nut M6
13	01570.0000	2	Wire Nut, 2-24 AWG Min. Yellow
14	32833.0000	1	Strain Relief, Cord
	01531.0000	1	Washer, Reducing
15	29446.0000	1	EMI Filter
	01311.0000	2	Screw, Truss Head #8-32 x .25"
16	00824.0000	1	Decal, Ground
17	27705.0000	1	Terminal Lug
	01512.0000	1	Lockwasher, Ext. tooth #10
18	01590.0000	1	Cable Connector
19	00824.0001	1	Decal, Ground
20	38894.0001	1	Switch, Master ON/OFF
	01308.0002	2	Screw, Truss Head, Locking #6-32 x .25" (Mounting)
	01327.0000	4	Screw, Pan Head #10-32 x .38" Terminals
	01512.0000	4	Lockwasher #10

230V Models

(Continued)

\* Indicates the part number listed is for reference only. See DESCRIPTION for possible service replacement.

(Continued)

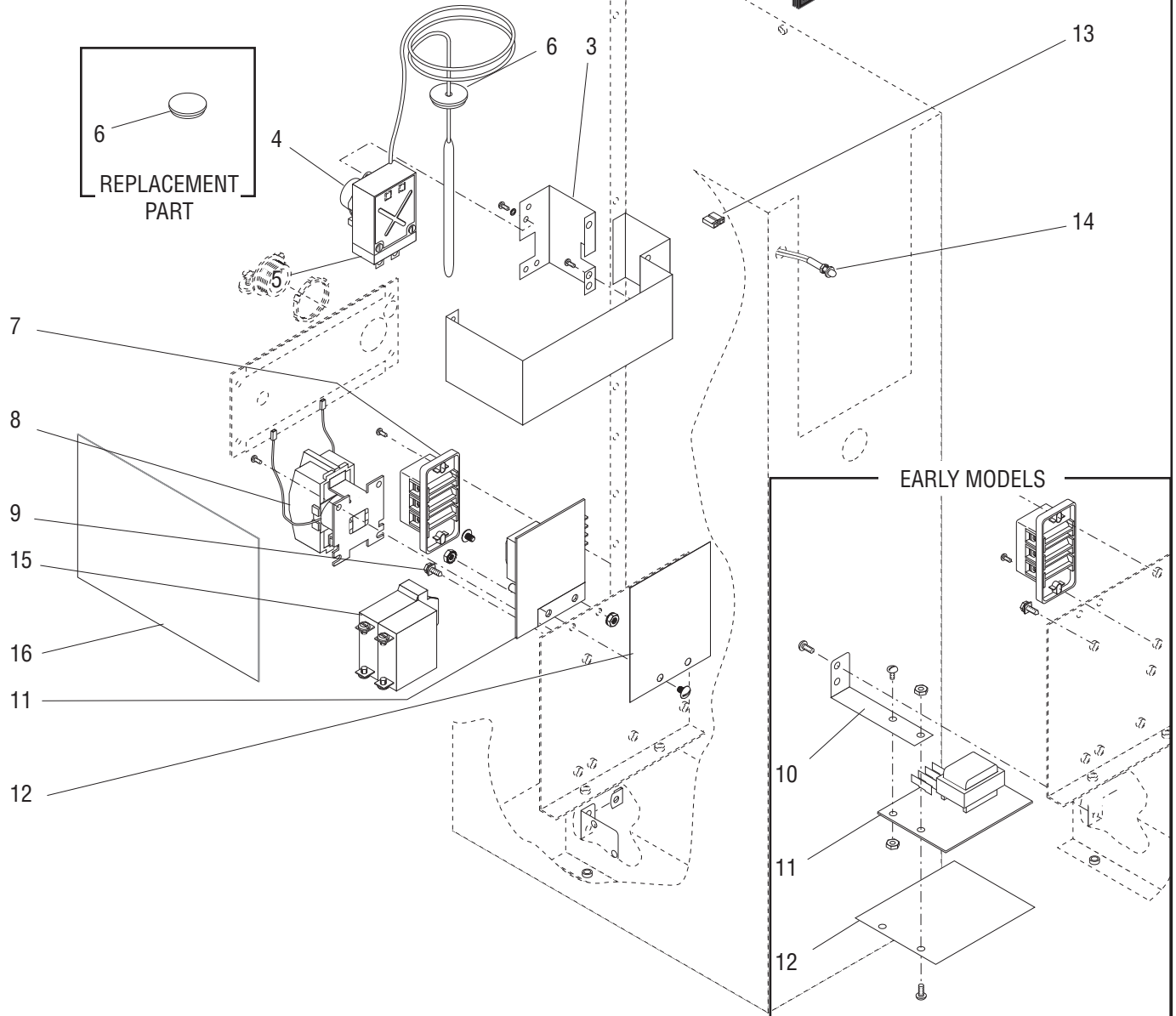
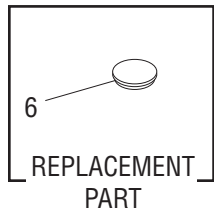
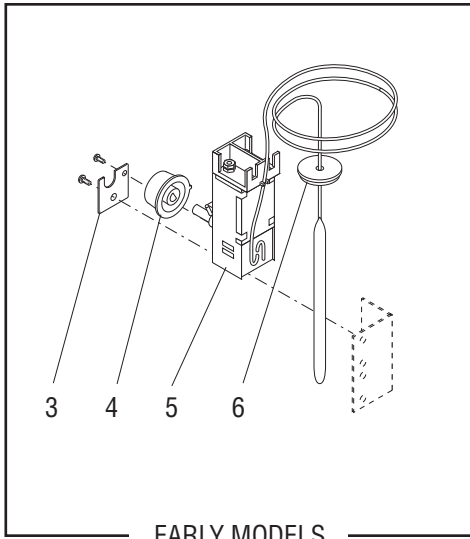


## DIGITAL CONTROL BOARD & ELECTRICAL COMPONENTS (Late Models)

ITEM	PART NO.	QTY.	DESCRIPTION
------	----------	------	-------------

**The following items are not illustrated**

21	12575.0002	1	Wiring Harness, 120V
	12576.0004	1	Wiring Harness, 208-240V
	12576.0002	1	Wiring Harness, 230V
22	21014.0034	1	Lead Assy, 14AWG Blk 7.0" Tank Heater to Limit (120/240V)
	27945.0000	1	Lead, Thermal Cut-off, Blk 8.5" (230V)
23	38920.0000	1	Wiring Harness, Master Switch 40-240V 200° F
	38920.0004	1	Wiring Harness, Master Switch 18-120V 85-115° F
24	23799.0001	1	Power Cord (Models with Power Cord)
25	40717.0000	1	Wiring Harness, Tank Heater to Digital Control
26	40718.0000	1	Lead, 14AWG WHI/VIO 18.0"
27	40719.0000	1	Lead, 14AWG WHI/VIO 18.0"
28	40720.0000	1	Thermal Cut-off BLU

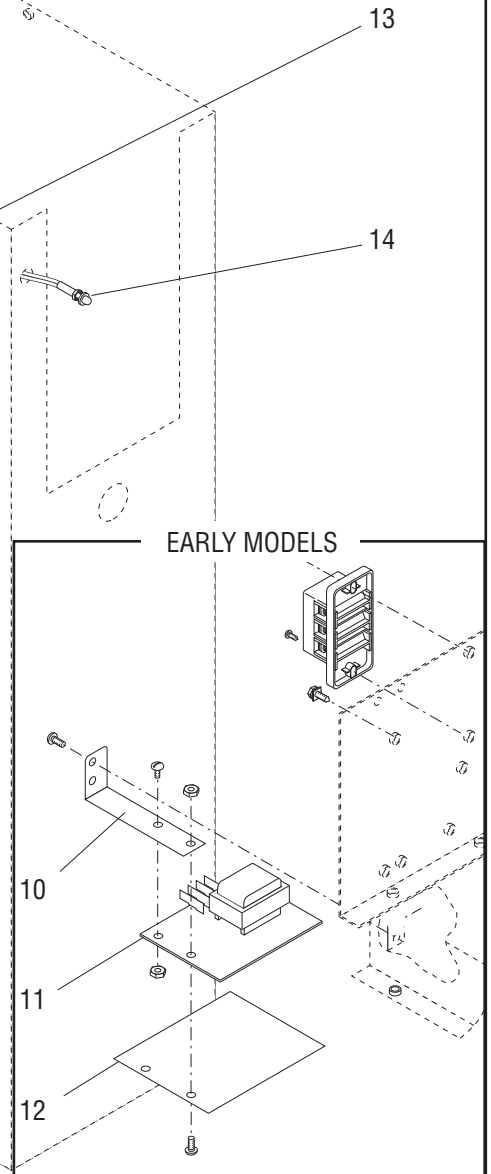
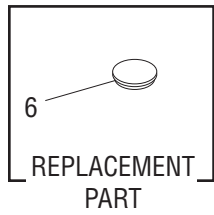
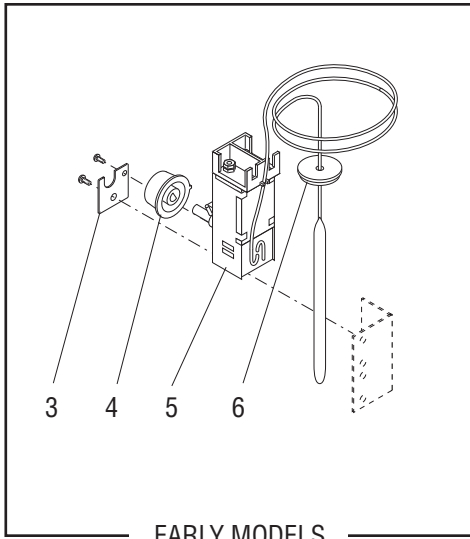


## MECHANICAL THERMOSTAT & DECORATIVE FRONT PANEL

ITEM	PART NO.	QTY.	DESCRIPTION
1	21033.0001	1	Panel W/Decal (Includes item 2)
2	21031.0001	1	Decal, Front - Decorative
3	01074.0000*	1	Bracket, Thermostat Mounting (Early Models)
	01311.0000	1	Screw, Truss Head #8 - 32 x .25"
	28195.0000	1	Bracket, Thermostat Mounting (Late Models)
	01311.0000	2	Screw, Truss Head #8-32 x .25"
4	00720.0000	1	Knob, Thermostat
5	-----	1	Thermostat Kit (Includes item 4)(Early Model. Order Late Model Kit)
	03024.0005	1	Thermostat Kit (Includes item 4)(Late Model)
	01310.0000	2	Screw, Pan Head #6 - 32 x .25" (Mounting)
	01520.0000	2	Lockwasher, Split #6
	20762.0000	2	Screw, Binding Head #8-32 x .25" (Terminal)
6	07073.1000	1	Grommet, Thermostat
7	01106.0000	1	Terminal Block, 2 Pole (White/Black)
	01106.0001	1	Terminal Block, 2 Pole (Red/Black)
	01106.0003	1	Terminal Block, 2 Pole (Blue/Brown)
	07038.0000	1	Terminal Block, 3 Pole (Red/White/Black) (Shown)
	01317.0000	2	Screw, Truss Head #8 - 32 x .50"
8	06335.1000	1	Contactor Assy, 120V Coil
	06335.1002	1	Contactor Assy, 240V Coil
	27906.1000	1	Contactor Assy, 230V Coil
	01311.0000	2	Screw, Truss Head #8 - 32 x .25"
9	01309.0000	1	Ground Screw W/Terminal Washer #10 - 32 x .50" (Early Models)
	37804.0000	1	Ground Screw W/Terminal Washer #8 - 32 x .50" (Late Models)
10	02537.0000	1	Bracket, Liquid Level Board Mounting (Early Models)
	01311.0000	2	Screw, Truss Head #8 - 32 x .25"
	00912.0000	2	Clip, "J" - Type #8 - 32
11	07074.1030	1	Control Board, Liquid Level 120V
	07074.1029	1	Control Board, Liquid Level 208-240V
	01311.0000	2	Screw, Truss Head #8 - 32 x .25"
	00970.0000	2	Nut, Keps #8 - 32
12	07105.0000	1	Shield, Protective
13	04243.0000	2	Terminal Housing
14	12984.0002	1	Lamp Assy, Green 120V (Includes item 13)(Optional)
	12984.0004	1	Lamp Assy, Green 240V (Includes item 13)(Optional)
15	38894.0001	1	Switch, Master ON/OFF
	01308.0002	2	Screw, Truss Head, Locking #6-32 x .25" (Mounting)
	01327.0000	4	Screw, Pan Head #10-32 x .38" ]
	01512.0000	4	Lockwasher #10 ] Terminals
16	25151.0000	1	Shield, Insulator

(Continued)

(Continued)





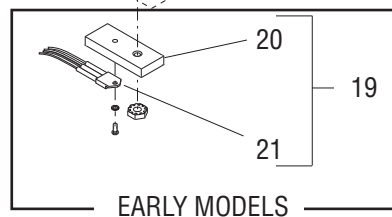
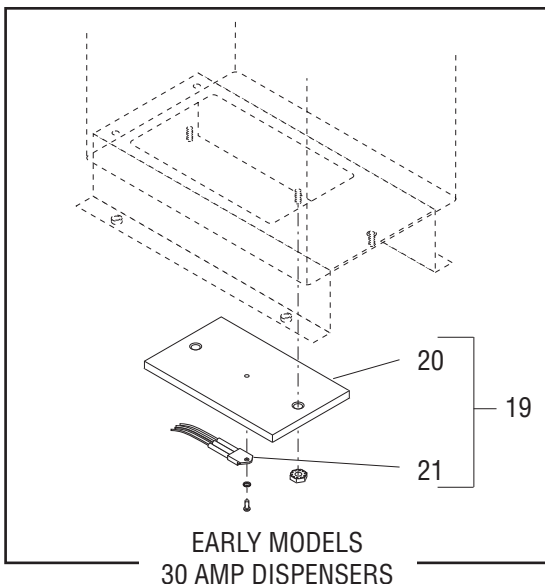
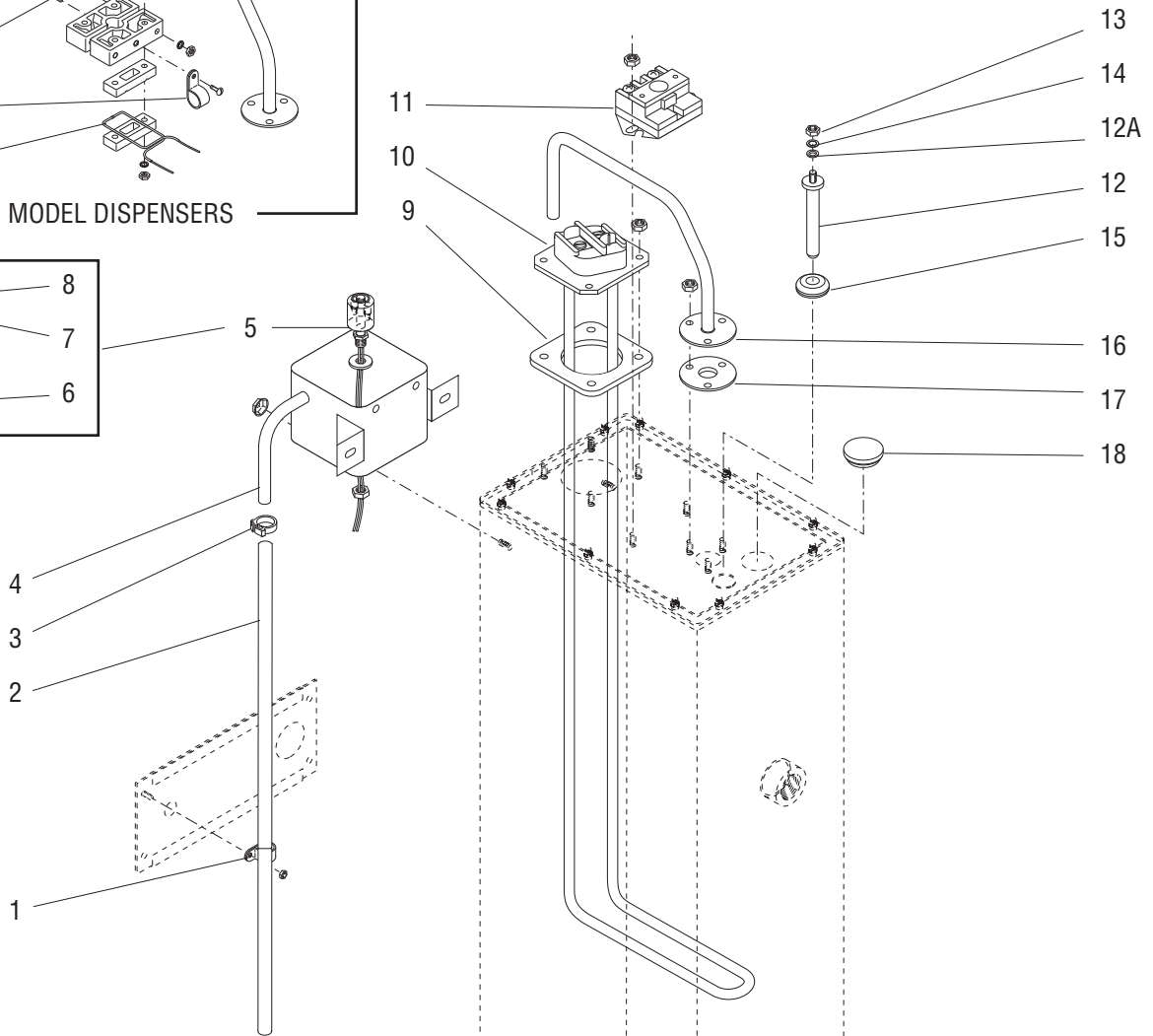
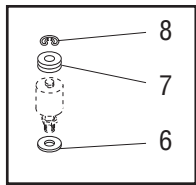
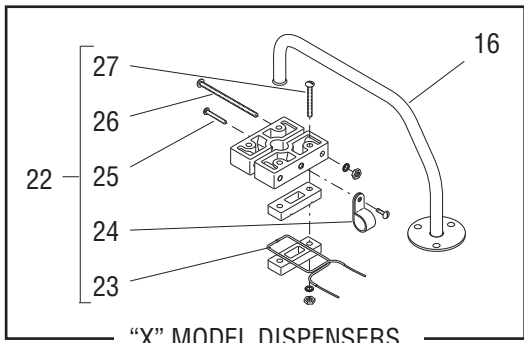
**MECHANICAL THERMOSTAT & DECORATIVE FRONT PANEL**

ITEM	PART NO.	QTY.	DESCRIPTION
------	----------	------	-------------

**The following items are not illustrated**

17	12522.0002	1	Wiring Harness, 120V
	12529.0005	1	Wiring Harness, 208-240V
	12529.0006	1	Wiring Harness, 230V
	42095.0000	1	Wiring Harness, Contactor to Limit
	42096.0000	1	Wiring Harness, Limit to Heater
18	27919.0000	1	Wiring Harness, 120V Ready Light
	27919.0001	1	Wiring Harness, 240V Ready Light
19	21012.0013*	1	Lead Assy, 12AWG Red 6.50" Terminal Block to Contactor
20	21012.0015*	1	Lead Assy, 12AWG Blk 7.5" Terminal Block to Contactor
21	01069.0003*	1	Lead Assy, 16AWG Blk 4.0" Thermostat to Main Harness
22	01069.0004*	1	Lead Assy, 16AWG Blu/Blk 4.0" Thermostat to Main Harness
23	21004.0286*	1	Lead Assy, 16AWG Grn 4.5" Harness Grounding (230V)
24	00985.0000	1	Decal, Individual Circuit Info (230V)
25	27705.0000	1	Terminal Lug (230V)
	37804.0000	1	Screw, Pan-hd #8-32 x .50"
	01512.0000	1	Lockwasher, Ext-th #10
	01317.0000	1	Screw, Truss-hd #8-32 x .50"
26	27945.0009	1	Lead, Thermal Cut-off BLK 36" (230V)
27	27945.0010	1	Lead, Thermal Cut-off RED 36" (230V)
28	38920.0000	1	Wiring Harness, Master Switch 40-240V 200° F
	38920.0004	1	Wiring Harness, Master Switch 18-120V 85-115° F
29	00824.0001	1	Decal, Ground (230V)

\* Indicates the part number listed is for reference only. See DESCRIPTION for possible service replacement.



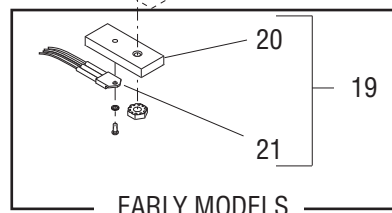
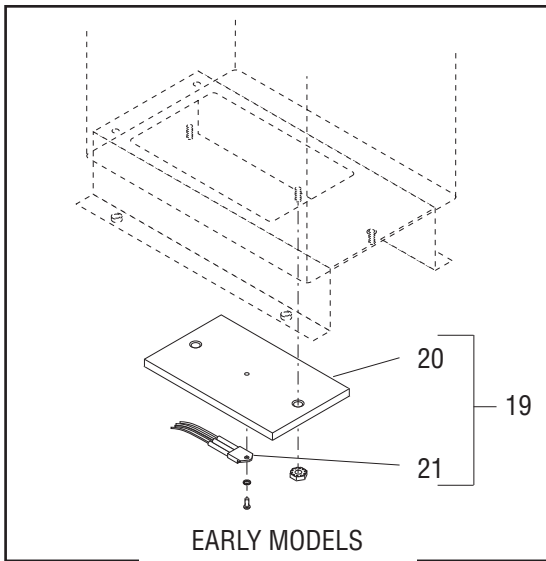
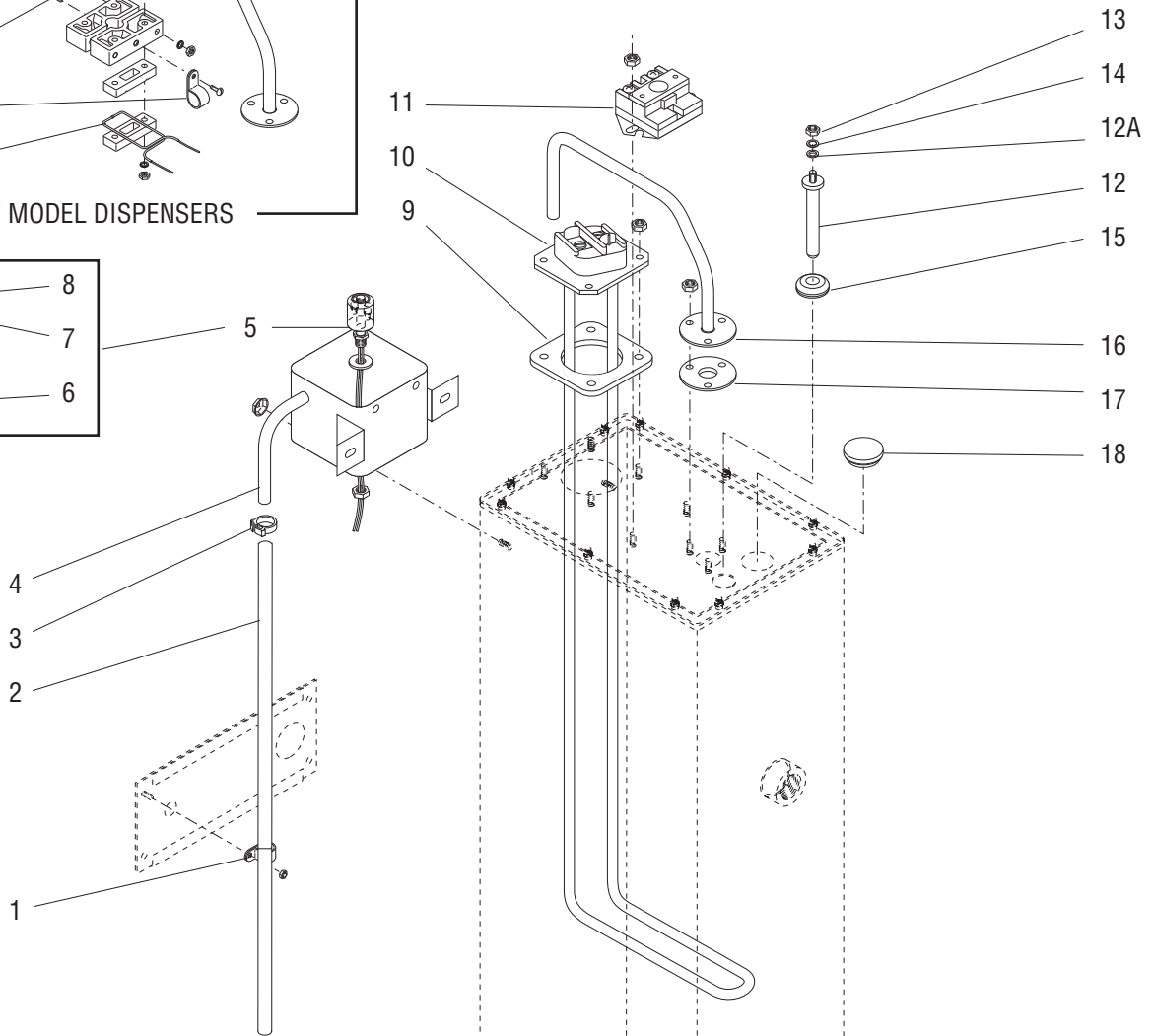
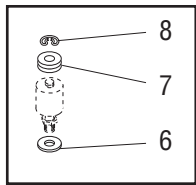
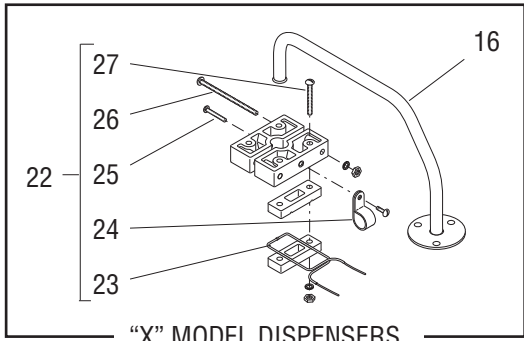
## TANK HEATER & SAFETY DEVICES

ITEM	PART NO.	QTY.	DESCRIPTION
1	00603.0000	1	Clamp
	00970.0000	1	Nut, Keps #8 - 32
2	-----	1	Tube, Silicone .312" I.D. x 21.50" (Order item 29)
3	12422.0000	1	Clamp, Hose .47"/.54" I.D.
4	22728.0000	1	Overflow Cup Assy (Replacement for Aluminum & Copper Cups)
	00971.0000	2	Nut, Keps #10 - 32
5	03803.0000	1	Switch Assy, Liquid Level 120V (Includes items 6, 7 & 8)
	03803.0002	1	Switch Assy, Liquid Level 230V (Includes items 6, 7 & 8)
	00946.0000	1	Nut, Hex .125" FPT
6	03633.0000	2	Gasket, Float Switch (Only 1 used in this application)
7	-----	3	Washer, Adjusting ( <b>DO NOT USE IN THIS APPLICATION</b> )
8	03807.0000	1	Clip, Spring
9	12398.0000	1	Gasket, Tank Heater
10	12524.1000	1	Tank Heater Kit 1800W 120V
	12322.1000	1	Tank Heater Kit 4000W 240V & 230V
	12305.1000	1	Tank Heater Kit 4000W 208V
	12453.1000	1	Tank Heater Kit 6000W 240V
	12452.1000	1	Tank Heater Kit 6000W 208V
	00908.0000	4	Nut, Hex #8 - 32
			} Includes item 9
11	23717.0003	1	Thermostat, Limit
	00971.0000	2	Nut, Keps #10 - 32
12	02645.1000	1	Probe Kit, Water Level (Includes items 12A, 13, 14 & 15)
12A	01501.0000	1	Washer .164" I.D. x .375" O.D.
13	00908.0000	1	Nut, Hex #8 - 32
14	20203.0100	1	Lockwasher, Internal Tooth #8
15	02536.0000	1	Grommet (Late Models)
	00929.0001	1	Nut/Sleeve, Compression .38" (Early Models)
16	12518.0000	1	Tube, Overflow
	12585.0000	1	Tube, Overflow ("X" Model Dispensers)
	00908.0000	3	Nut, Hex #8 - 32
17	05515.0000	1	Gasket, Overflow Tube
18	12570.0002	1	Plug, Hole (Early Models)
19	12527.0001	1	Triac/Heat Sink Assy 120V (20 AMP Dispensers)
	12527.1010	1	Triac/Heat Sink Assy 120V (20 AMP Dispensers)(Models w/ Master ON/OFF Sw)
	12527.0002	1	Triac/Heat Sink Assy 120V (30 AMP Dispensers)
	12527.1011	1	Triac/Heat Sink Assy 120V (30 AMP Dispensers)(Models w/ Master ON/OFF Sw)
	12527.0009	1	Triac/Heat Sink Assy 230V (40 AMP Dispensers)
	00971.0000	1	Nut, Keps #10 - 32 (2 used on 30 AMP Dispensers)

(Continued)

\* Indicates the part number listed is for reference only. See DESCRIPTION for possible service replacement.

(Continued)

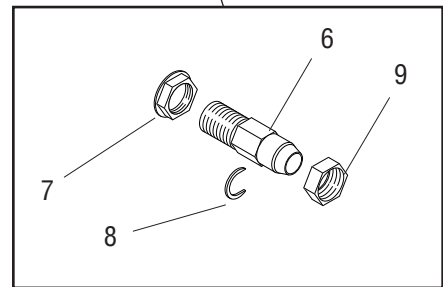
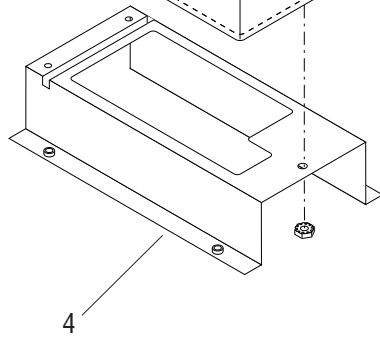
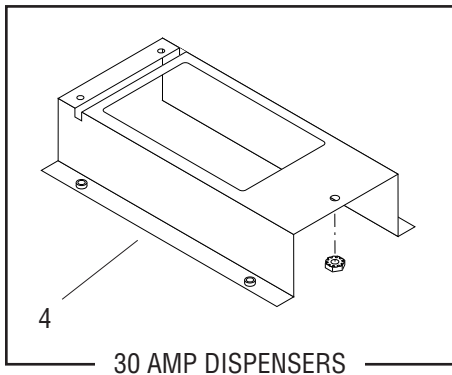
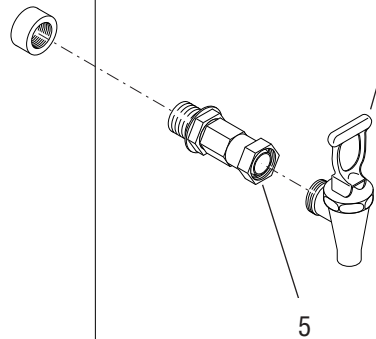
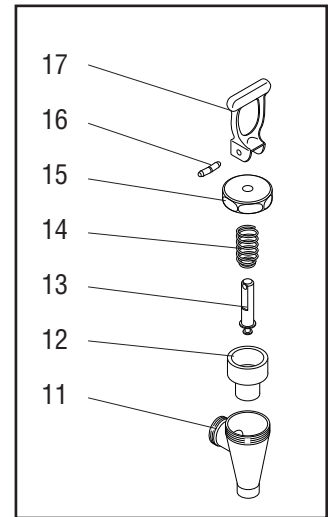
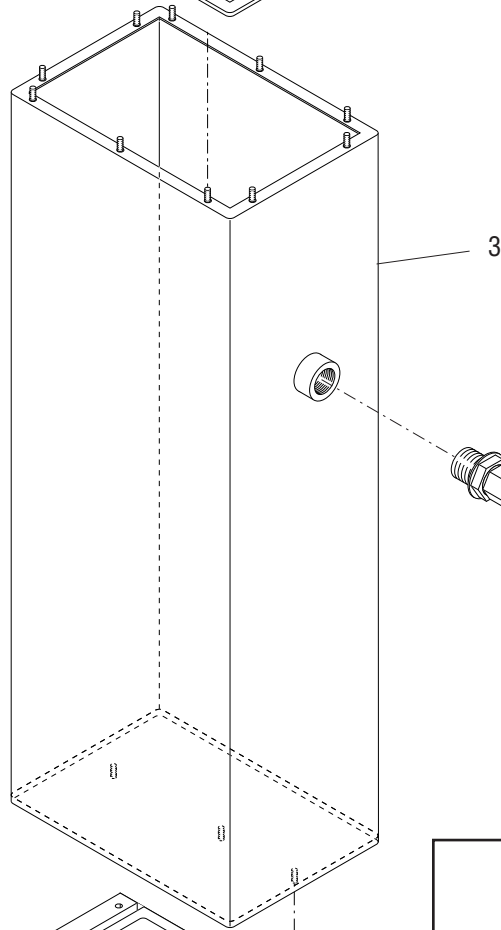
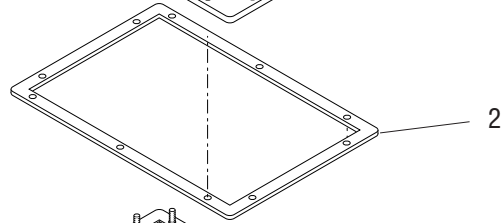
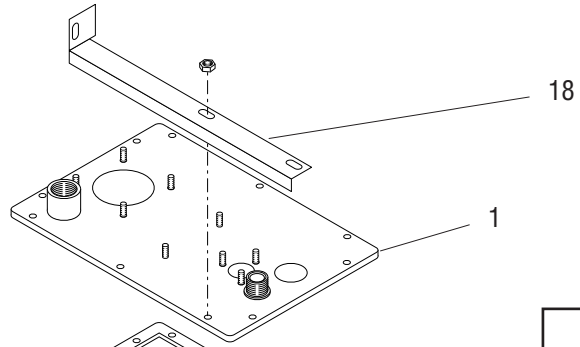
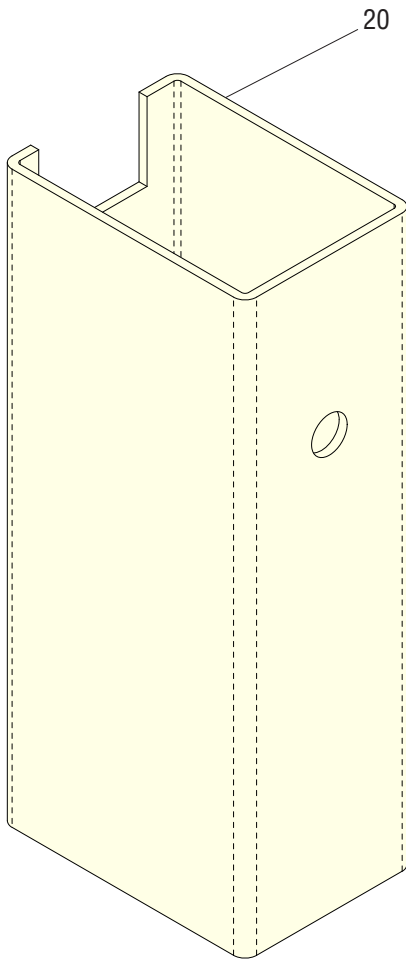


## TANK HEATER & SAFETY DEVICES

ITEM	PART NO.	QTY.	DESCRIPTION
20	12561.0000	1	Heat Sink, Copper (20 AMP Dispensers)
	12397.0000	1	Heat Sink, Copper (30 AMP Dispensers)
21	12565.0002	1	Triac Assy 120V
	12565.0023	1	Triac Assy 120V (Models w/Master ON/OFF Switch)
	12565.0014	1	Triac Assy 230V
	02328.0003	1	Screw, Pan Head #6 - 32 x .312"
	01520.0000	1	Lockwasher, Split #6
22	12586.0000	1	Thermistor Assy (Includes items 23 thru 26) ("X" Model Dispensers only)
23	12551.0000	1	Thermistor
24	41760.0000	1	Clamp, Thermistor
	01382.0000	1	Screw, Truss Head #6 - 32 x .38"
25	01388.0000	1	Screw, Truss Head #6 - 32 X .75"
26	02370.0002	2	Screw, Pan Head #6 - 32 x 2.0"
	01520.0000	2	Lockwasher, Split #6
	00906.0000	2	Nut #6 - 32
27	02370.0001	2	Screw, Pan Head #6 - 32 x 1.25"
	01520.0000	2	Lockwasher, Split #6
	00906.0000	2	Nut #6 - 32
28	M2522.1000	-	Heat Sink Compound 5 oz.
29	03236.1001	-	Tube, Silicone .312" I.D. x 36.0"

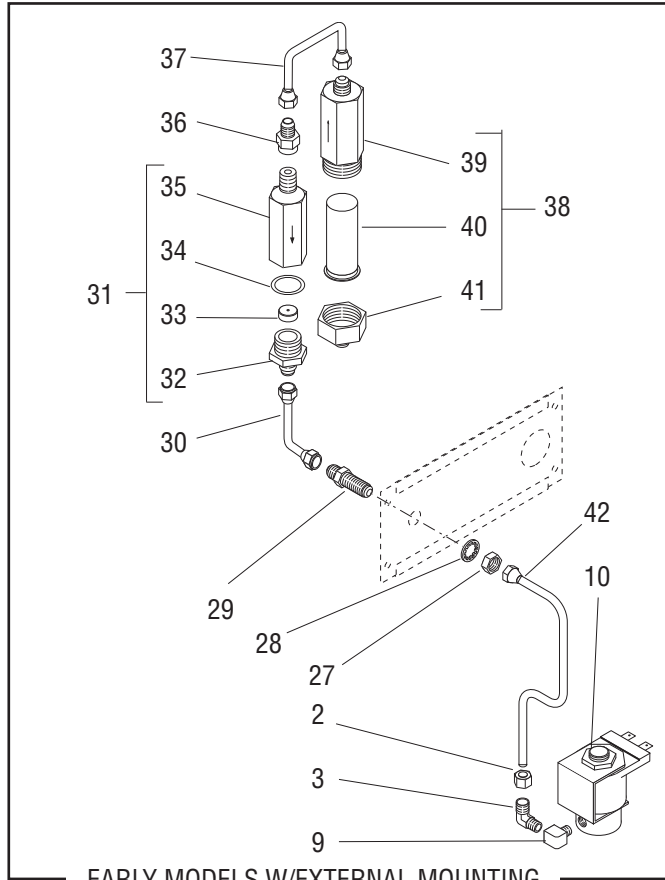
} Not illustrated

\* Indicates the part number listed is for reference only. See DESCRIPTION for possible service replacement.

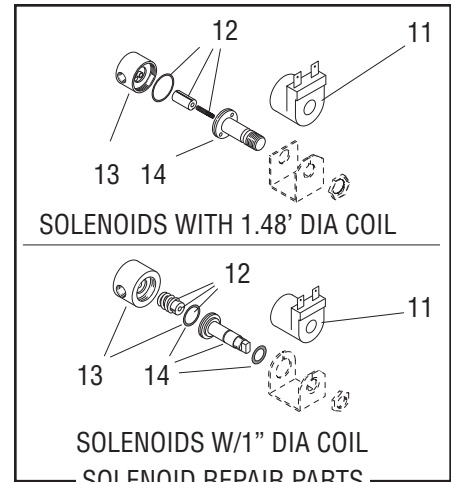


**TANK & FAUCET  
DESCRIPTION**

ITEM	PART NO.	QTY.	DESCRIPTION
1	-----	1	Lid, Tank - Flat (First type. Not available order Second type Tank Lid)
	25922.0003	1	Lid, Tank - Flanged (Second type) (Shown)
	00906.0000	10	Nut #6 - 32
2	12377.0000	1	Gasket, Tank lid
3	25920.0001	1	Tank - Flat bottom (Early Models, Top Fill)
	25920.1010	1	Tank - Flanged bottom (Late Models, Bottom Fill)(Shown)
4	-----	1	Bracket, Tank Mounting (20 AMP Dispensers) (First type. Not available order Second type Bracket)
	12514.0000	1	Bracket, Tank Mounting (20 AMP Dispensers W/Mechanical Thermostat) (Second type shown)
	12514.0005	1	Bracket, Tank Mounting (20 AMP Dispensers W/Electronic Control Assy)
	-----	1	Bracket, Tank Mounting (30 AMP Dispensers) (First type. Not available order Second type Bracket)
	12514.0006	1	Bracket, Tank Mounting (30 AMP Dispensers) (Second type shown)
	00971.0000	2	Nut, Keps #10 - 32 (Only 1 used on 30 AMP Dispensers)
5	07061.0000	1	Faucet Shank Assy (Includes items 6 thru 9)
6	-----	1	Faucet Shank Body (Not available order item 5)
7	07119.0000	1	Faucet Shank Nut
8	01221.0000	1	Faucet Shank C-Ring
9	01268.0000	1	Faucet Union Nut
10	07094.0001	1	Faucet Assy (Includes items 11 thru 17)
11	-----	1	Faucet Body (Not available order item 10)
12	00600.0001	1	Faucet Seat Cup
13	35271.0001	1	Faucet Stem
14	00601.0000	1	Faucet Spring
15	07127.0003	1	Faucet Bonnet Nut
16	01219.0000	1	Faucet Handle Pin
17	07244.0000	1	Faucet Handle
18	28715.0000	1	Bracket, Tank Supporting (Top)
	00912.0000	1	Fastener, "J"-type #8-32
19	28710.0000	-	Faucet Repair Kit (Includes items 12,13,14 & 17)
20	44223.1000	1	Kit, Tank Insulation



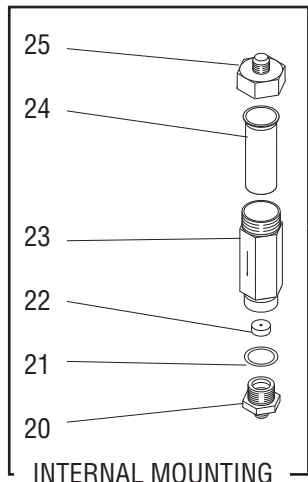
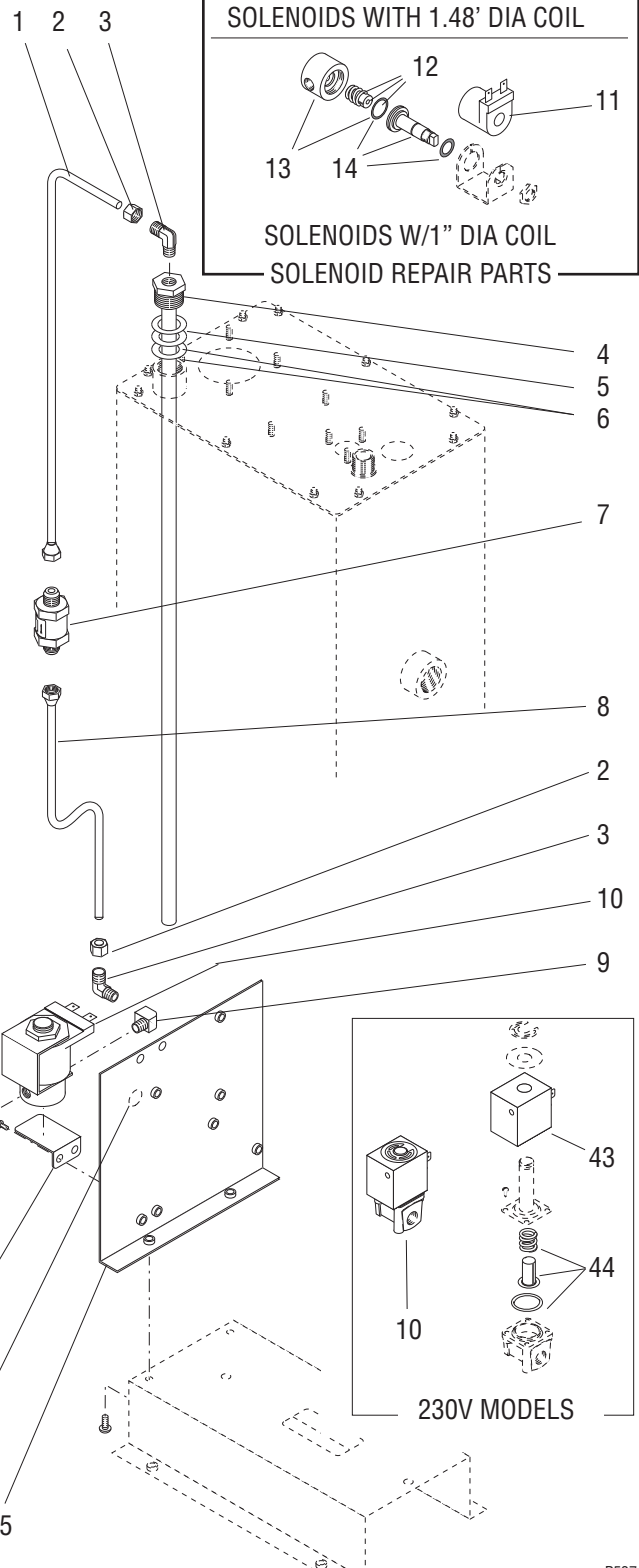
EARLY MODELS W/EXTERNAL MOUNTING



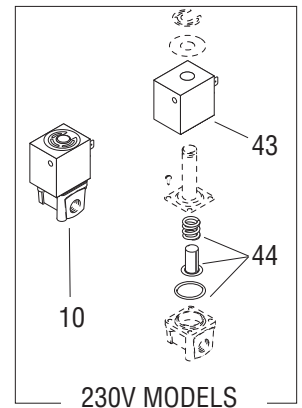
SOLENOIDS WITH 1.48' DIA COIL

SOLENOIDS W/1" DIA COIL

SOLENOID REPAIR PARTS



INTERNAL MOUNTING



230V MODELS



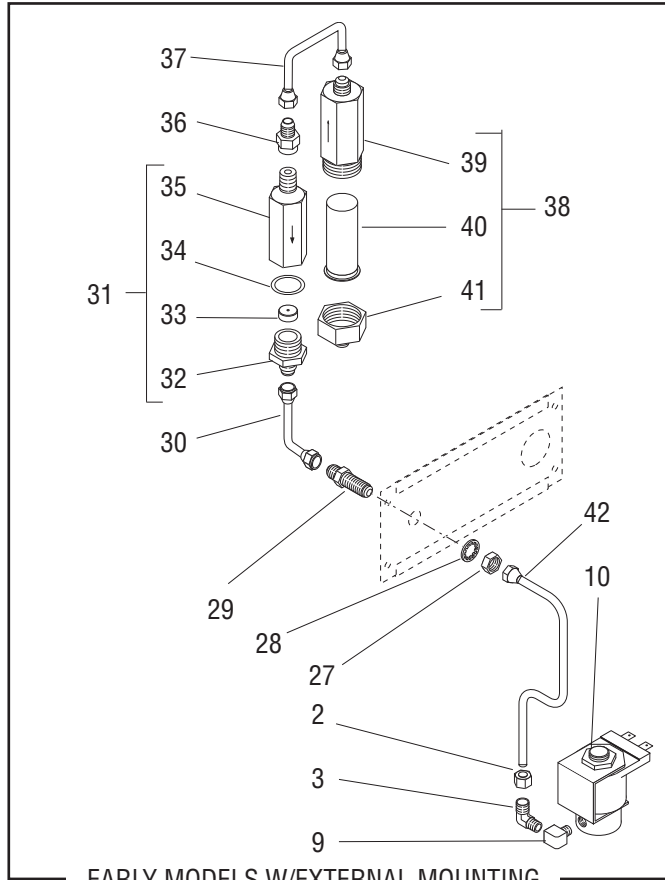
STRAINER/FLOW CONTROL, SOLENOID & WATER LINES (Early Models)

ITEM	PART NO.	QTY.	DESCRIPTION
1	12521.0000	1	Tube Assy, Check Valve to Tank (No Longer Available)
2	00443.0001	2	Nut/Sleeve, Compression .25" (3 used w/external mounted Strainer/Flow Control)
3	00465.0001	2	Elbow Assy, Compression Nut .25" x .12" MPT (Includes item 2) (3 used w/external mounted Strainer/Flow Control)
4	21322.0000	1	Tube, Tank Inlet
5	01540.0000	1	Washer .75" I.D. x 1.0" O.D.
6	01201.0000	2	Gasket, Tank Inlet
7	01171.0001	1	Check Valve (Refer to item 46 for Repair Kit)
8	12519.0000	1	Tube Assy, Solenoid to Check Valve (Includes one item 2)
9	00432.0001	1	Elbow, .125" NPT Male-Female (2 used w/external mounted Strainer/Flow Control)
10	-----	1	Solenoid Valve Assy, 120V - 1.48" Dia Coil (Not Available. Order 01085.0002)
	01085.0002	1	Solenoid Valve Assy, 120V - 1" Dia Coil
	01975.0000	1	Solenoid Valve Assy, 208-240V - 1.48" Dia Coil
	28005.0000	1	Solenoid Valve Assy, 230V (Includes items 43 & 44)
	01327.0000	2	Screw, Pan Head #10 - 32 x .375" } Early Models
	01502.0000	2	Lockwasher, Split # 10 }
11	01101.0000	1	Solenoid Valve Coil, 120V - 1.48" Dia Coil
	28480.0000	1	Solenoid Valve Coil, 120V - 1" Dia Coil
	01100.0000	1	Solenoid Valve Coil, 208-240V - 1.48" Dia Coil
12	01111.0000	1	Solenoid Valve Repair Kit - 1.48" Dia Coil (Includes Plunger, Seal and Spring)
	01111.0002	1	Solenoid Valve Repair Kit - 1" Dia Coil (Includes Plunger, Spring and O-ring)
13	01079.0000	1	Solenoid Valve Base - 1.48" Dia Coil
	28479.0000	1	Solenoid Valve Base Kit - 1" Dia Coil (Includes O-ring)
14	01116.0000	1	Guide - 1.48" Dia Coil
	28481.0000	1	Guide Kit - 1" Dia Coil (Includes Washer and O-ring)
15	12512.0004	1	Bracket, Component Mounting
	01315.0000	2	Screw, Truss Head #8 - 32 x .38"
16	04623.0001	1	Bracket, Solenoid Valve Mounting
	01311.0000	2	Screw, Truss Head #8 - 32 x .25"
17	00400.0001	1	Elbow, Male .250" Flare x .125" MPT
18	24288.0000	1	Tube Assy, Strainer/Flow Control to Solenoid
19	37855.0750	1	Strainer/Flow Control Assy (.750 GPM) (Includes items 20 thru 25)
20	36687.0000	1	Flow Control Outlet
21	01155.0000	1	Flow Control Gasket
22	37857.1750	1	Flow Washer/Gasket Kit, .750 GPM (Includes item 21)
23	-----	1	Body (Not Available order item 19)
24	23721.0000	1	Screen

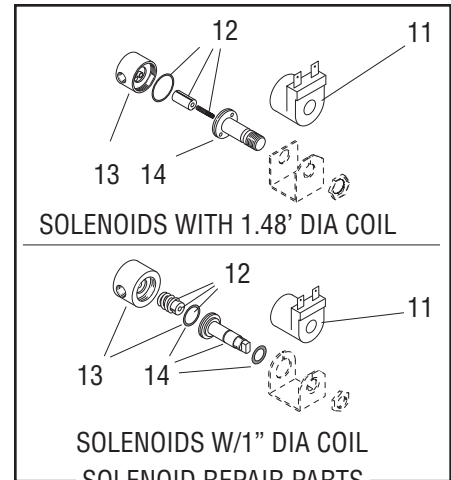
(Continued)

\* Indicates the part number listed is for reference only. See DESCRIPTION for possible service replacement.

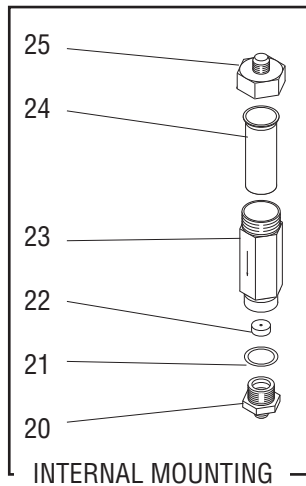
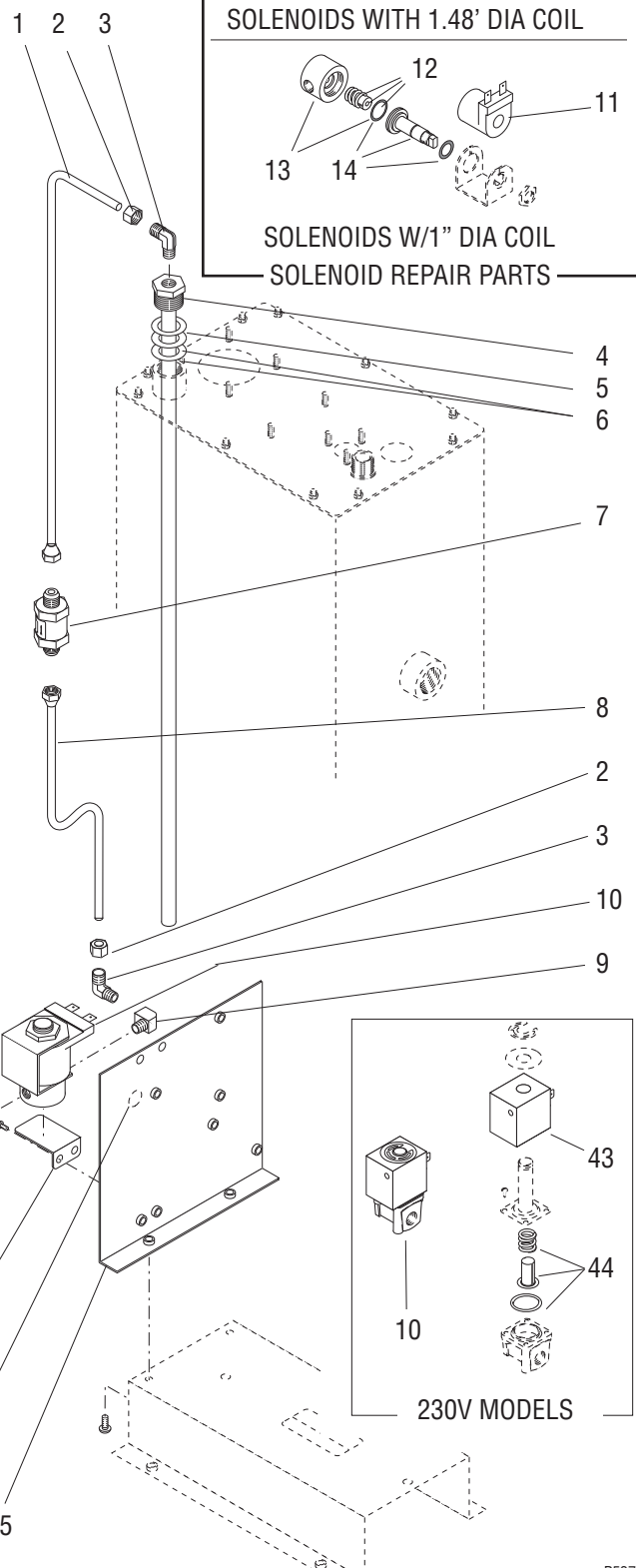
(Continued)



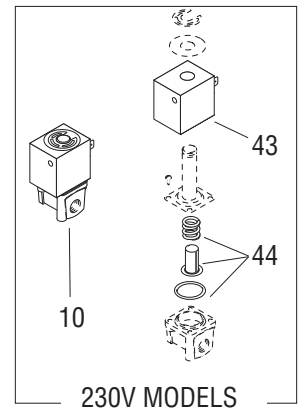
EARLY MODELS W/EXTERNAL MOUNTING



SOLENOID REPAIR PARTS



INTERNAL MOUNTING

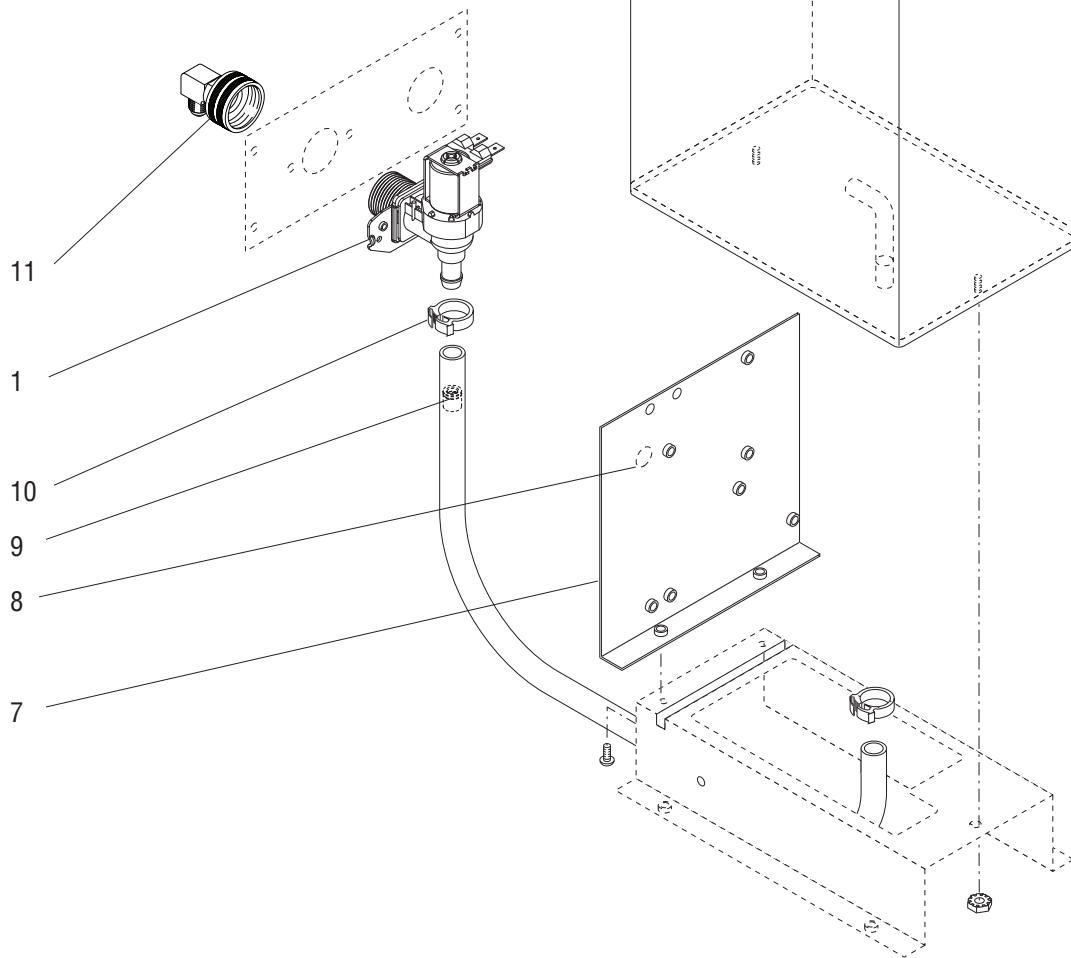
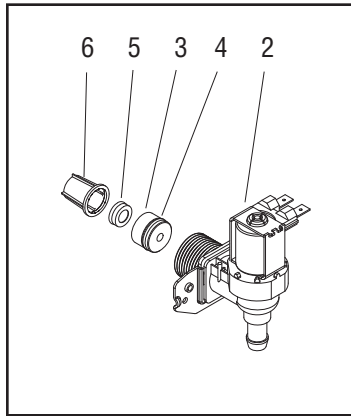


230V MODELS

STRAINER/FLOW CONTROL, SOLENOID & WATER LINES (Early Models)

ITEM	PART NO.	QTY.	DESCRIPTION
25	22249.0000	1	End Cap
26	24289.0000	1	Tube Assy, Bulkhead to Strainer/Flow Control (Includes Nuts)
27	00463.0000	1	Nut, Hex .438" - 20
28	01532.0000	1	Lockwasher, Internal Tooth .438" I.D.
29	00459.0001	1	Bulkhead Fitting, .250" Flare
30	00310.0000	1	Tube Assy, Flow Control to Bulkhead
31	20528.1500	1	Flow Control Assy (.500 GPM) (120V Models)
	20528.1750	1	Flow Control Assy (.750 GPM) (208-240V Models)
			} Includes items 32 thru 35
32	01154.0000	1	Flow Control Outlet
33	20526.1500	1	Flow Washer/Gasket Kit, .500 GPM (Includes item 34) (120V Models)
	20526.1750	1	Flow Washer/Gasket Kit, .750 GPM (Includes item 34) (208-240V Models)
34	01155.0000	1	Flow Control Gasket
35	-----	1	Body (Not Available order item 31)
36	00445.0001	1	Connector, .250" Flare x .125" FPT
37	04572.0000	1	Tube Assy, Flow Control to Strainer
38	23820.1000	1	Water Strainer Assy (Includes items 39 thru 41)
39	-----	1	Body (Not Available order item 38)
40	23721.0000	1	Screen
41	22249.0000	1	End Cap, Water Strainer
42	12520.0000	1	Tube Assy, Bulkhead to Solenoid (Includes one item 2)
43	28020.0000	1	Coil 230V
44	28021.0000	1	Solenoid Valve Repair Kit 230V
45	00824.0000	1	Decal, Ground
46	01170.0000	1	Check Valve Repair Kit (Contains a gasket, spring & seat assembly) (Not illustrated)

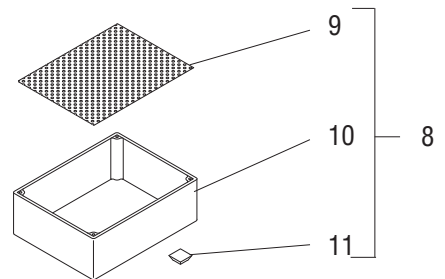
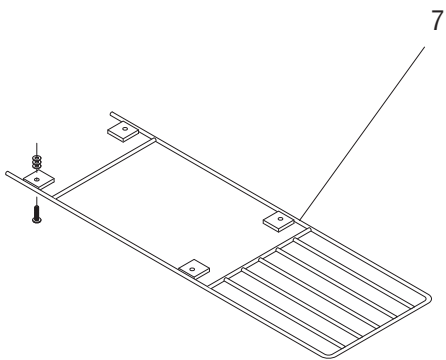
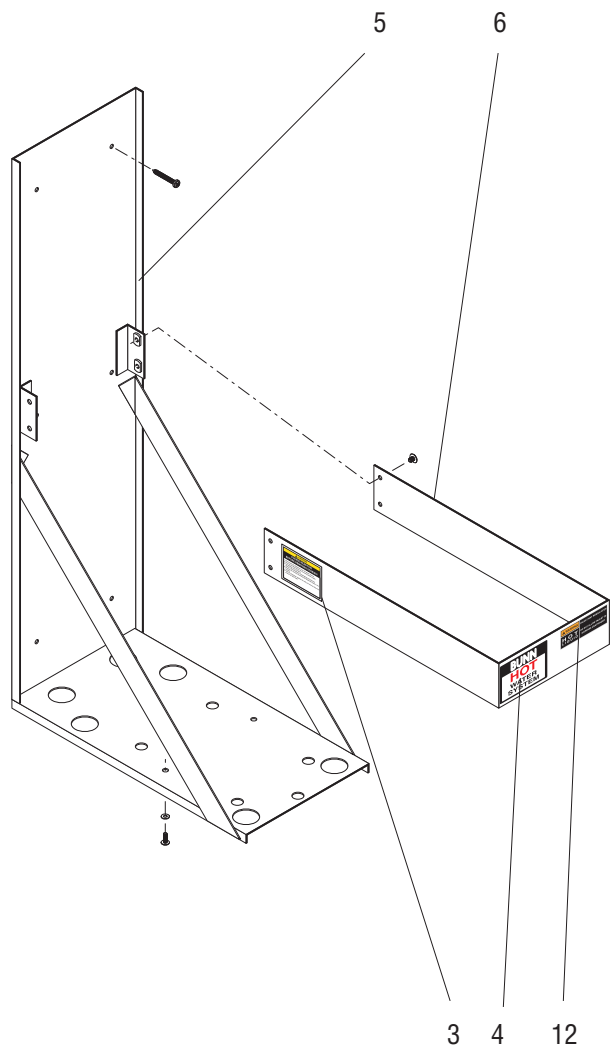
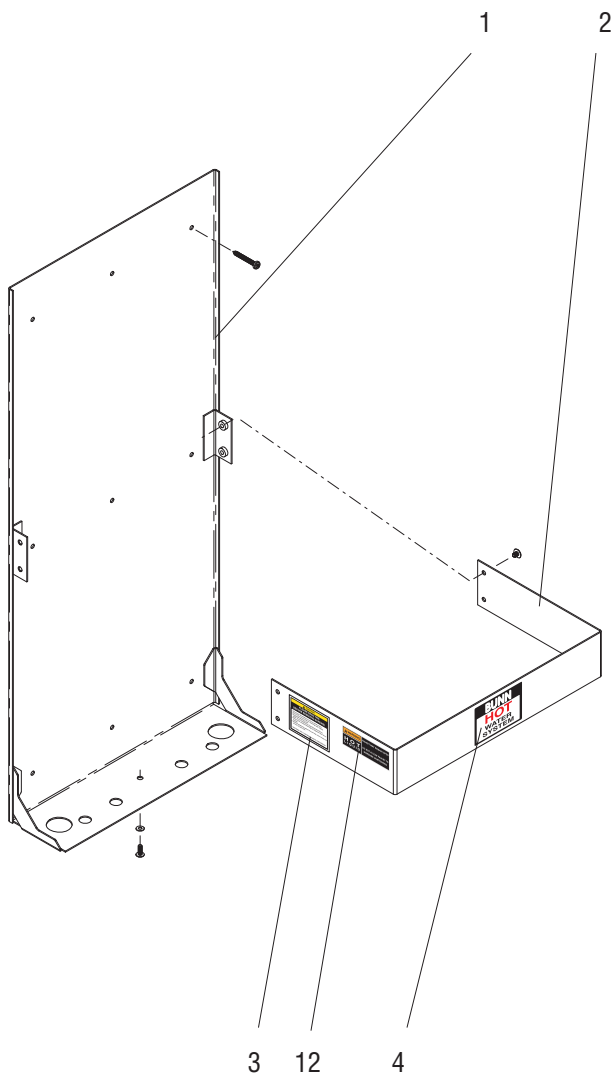
\* Indicates the part number listed is for reference only. See DESCRIPTION for possible service replacement.



INLET SOLENOID & WATER LINES (Late Models)

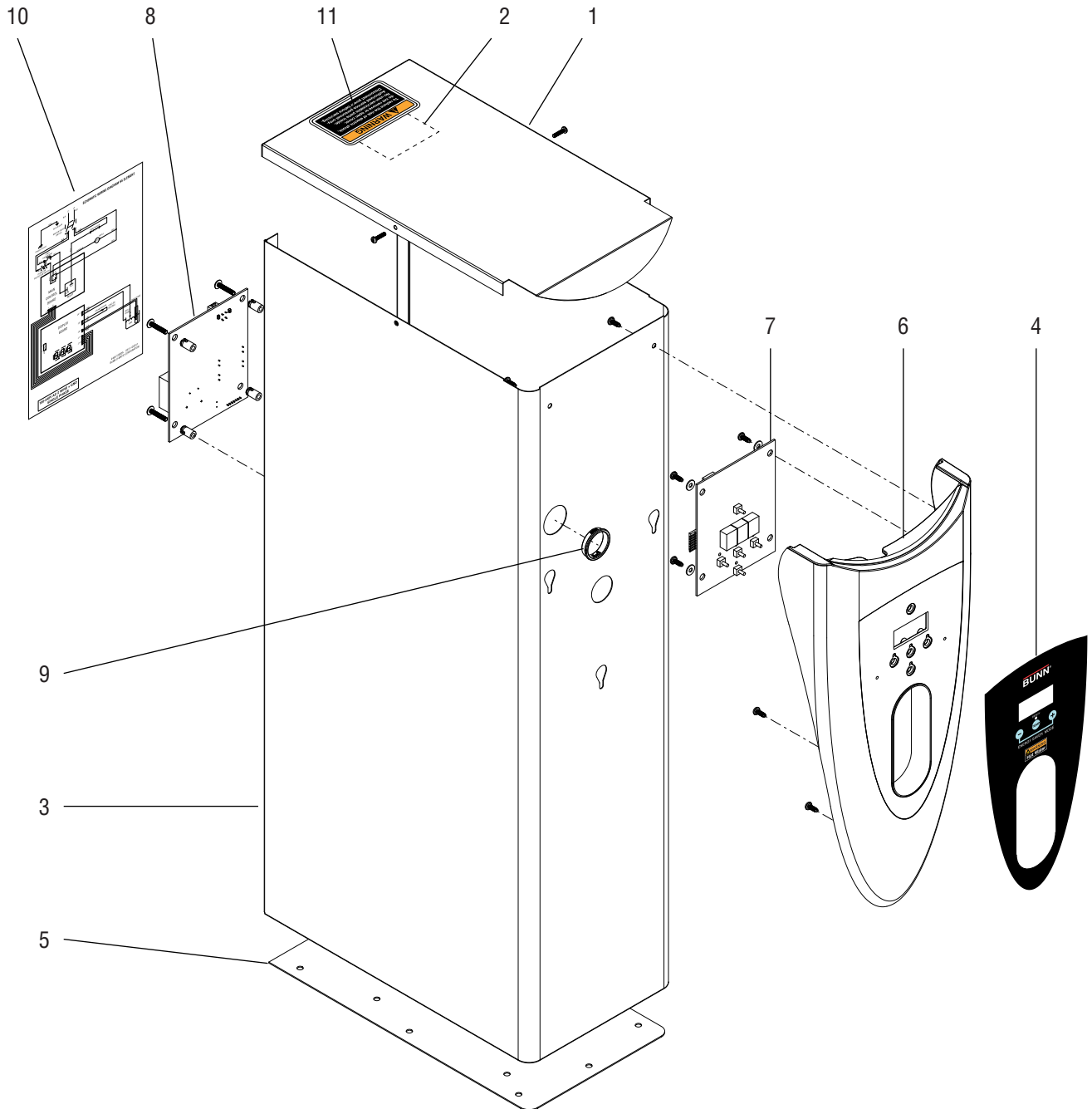
ITEM	PART NO.	QTY.	DESCRIPTION
1	40506.0000	1	Valve Assy, Inlet 120V (Includes items 2 - 6)
	40506.0001	1	Valve Assy, Inlet 208-240V (Includes items 2 - 6)
	40506.0008	1	Valve Assy, Inlet 230V CE (Includes items 2 - 6)
	32283.0000	2	Screw, Pan Head M4 x 6mm
2	36233.0009	1	Valve 120V
	36233.0010	1	Valve 240V
	36233.0018	1	Valve 230V CE
3	40056.0004	1	Housing, Flow Control
4	33725.0000	1	O-ring
5	37857.1750	1	Flow Control
6	-----	1	Screen
7	12512.0004	1	Bracket, Component Mounting
	01315.0000	2	Screw, Truss Head #8 - 32 x .38"
8	00824.0000	1	Decal, Ground
9	41716.0001	1	Tube Assembly w/Check Valve .375" I.D. x 16.0"
	36378.0001	1	Check Valve
10	12422.0001	2	Clamp, Snap Type .59/66"
11	37297.0006	1	Elbow .25" Flare x .75" FTHD

\* Indicates the part number listed is for reference only. See DESCRIPTION for possible service replacement.



WALL BRACKETS, DRIP TRAY & WIRE SHELF

ITEM	PART NO.	QTY.	DESCRIPTION
1	----- 02334.0000	1 9	Wall Bracket, Side Mounting (See Sales Manual for Wall Bracket Kit) Screw, Pan Head Phillips #10 x 1.50"
2	24737.0000 01326.0000	1 4	Support Strap W/Decals (Includes items 3, 4 & 12) Screw, Truss Head #10 - 32 x .25"
3	12556.0000	2	Decal, Caution Dispenser Removal
4	00657.0002	1	Decal, Bunn Hot Water
5	----- 02334.0000	1 6	Wall Bracket, Front Mounting (See Sales Manual for Wall Bracket Kit) Screw, Pan Head Phillips #10 x 1.50"
6	24736.0000 01326.0000	1 4	Support Strap W/Decals (Includes items 3, 4 & 12) Screw, Truss Head #10 - 32 x .25"
7	12599.0000 01503.0000 01370.0000	1 12 4	Wire Shelf Kit (Includes mounting hardware) Washer, Flat .25" I.D. x .56" O.D. (Use as required) Screw, Pan Head #8 - 32 x .75"
8	02497.0000	1	Drip Tray Assy (Includes items 9 thru 11)
9	02546.0000	1	Cover, Drip Tray
10	02545.0000	1	Drip Tray
11	02547.0000	4	Foot, Rubber
12	12538.0000	1	Decal, Caution - Hot Liquid





## HOUSING, COVERS & PANELS

ITEM	PART NO.	QTY.	DESCRIPTION
1	12505.1004	1	Cover W/Decal SST (Includes # 11)
	12505.1005	1	Cover W/Decal Red (Includes # 11)
	12505.1006	1	Cover W/Decal Copper (Includes # 11)
	12505.1007	1	Cover W/Decal Black (Includes # 11)
	12505.1008	1	Cover W/Decal White (Includes # 11)
	01303.0000	2	Screw, Pan Head #4 - 40 X .50"
2	12537.0000*	2	Decal - Notice 200-240V Components (Used on 208 & 240V Dispensers only)
3	12503.0010	1	Housing, SST
	12503.1014	1	Housing, Red
	12503.1015	1	Housing, Copper
	12503.1016	1	Housing, Black
	12503.1017	1	Housing, White
4	44025.0000	1	Decal
5	12509.0002	1	Plate, Bottom
	01315.0000	7	Screw, Truss Head #8 - 32 X .38"
6	44024.1001	1	Kit, Face Plate (Includes Decal & Screws)
	44224.0000	5	Screw
7	43957.1000	1	Kit, CBA, Display
	44224.0000	4	Screw
	27088.0000	4	Washer, Nylon 6-32x.3750Dx.025
8	43958.1000	1	Kit, CBA, Main
	01388.0000	4	Screw, Pan Head #8 - 32 x .25"
	29081.0000	4	Spacer
9	44222.0000	1	Bushing
10	44657.0000	1	Schematic, Electrical 100V-240V H5 Element
11	37881.0000	3	Decal, No Serviceable Parts
12	12576.0008	1	Wiring Harness, Main (Not illustrated)
13	44033.0000	1	Wiring Harness, Display CBA to Main CBA (Not illustrated)

## NUMERICAL INDEX

PART NO.	PAGE NO.	PART NO.	PAGE NO.	PART NO.	PAGE NO.	PART NO.	PAGE NO.
00310.0000.....	27	01326.0000.....	31	10332.0000.....	5	12537.0000.....	5,33
00400.0001.....	25	01327.0000.....	9,11,15,25	10410.0000.....	5	12538.0000.....	31
00432.0001.....	25	01370.0000.....	31	10411.0000.....	5	12551.0000.....	21
00443.0001.....	25	01382.0000.....	21	12305.1000.....	19	12556.0000.....	31
00445.0001.....	27	01388.0000.....	11,21,33	12322.1000.....	19	12559.0000.....	7
00459.0001.....	27	01390.0000.....	5	12377.0000.....	23	12561.0000.....	21
00463.0000.....	27	01501.0000.....	19	12397.0000.....	21	12565.0002.....	21
00465.0001.....	25	01502.0000.....	25	12398.0000.....	19	12565.0014.....	21
00600.0001.....	23	01503.0000.....	31	12422.0000.....	19	12565.0023.....	21
00601.0000.....	23	01511.0000.....	9	12422.0001.....	29	12568.0007.....	11
00603.0000.....	19	01512.0000.....	7,9,11,15,17	12452.1000.....	19	12570.0000.....	7,11
00619.0002.....	7	01520.0000.....	15,21	12453.1000.....	19	12570.0002.....	19
00656.0001.....	5	01531.0000.....	7,11	12503.0010.....	33	12575.0002.....	9,13
00657.0002.....	31	01532.0000.....	27	12503.1014.....	33	12576.0002.....	9,13
00720.0000.....	15	01540.0000.....	25	12503.1015.....	33	12576.0004.....	9,13
00731.0000.....	5	01570.0000.....	7,11	12503.1016.....	33	12576.0008.....	33
00824.0000.....	7,11,27,29	01590.0000.....	9,11	12503.1017.....	33	12585.0000.....	19
00824.0001.....	9,11,17	01975.0000.....	25	12505.1004.....	33	12586.0000.....	21
00831.0000.....	5	02308.0000.....	7	12505.1005.....	33	12593.0000.....	5
00906.0000.....	21,23	02328.0003.....	21	12505.1006.....	33	12599.0000.....	31
00908.0000.....	19	02334.0000.....	31	12505.1007.....	33	12984.0002.....	15
00912.0000.....	5,15,23	02370.0001.....	21	12505.1008.....	33	12984.0004.....	15
00917.0000.....	5	02370.0002.....	21	12506.1002.....	5	20203.0100.....	19
00929.0001.....	19	02497.0000.....	31	12506.1003.....	5	20526.1500.....	27
00946.0000.....	19	02536.0000.....	19	12506.1004.....	5	20526.1750.....	27
00970.0000.....	15,19	02537.0000.....	15	12506.1005.....	5	20528.1500.....	27
00971.0000.....	19,23	02545.0000.....	31	12507.0000.....	5	20528.1750.....	27
00985.0000.....	17	02546.0000.....	31	12507.0001.....	5	20749.0000.....	5
01069.0003.....	17	02547.0000.....	31	12507.1003.....	5	20762.0000.....	15
01069.0004.....	17	02645.1000.....	19	12507.1004.....	5	21004.0286.....	17
01074.0000.....	15	03024.0005.....	15	12507.1005.....	5	21012.0013.....	17
01079.0000.....	25	03236.1001.....	21	12507.1006.....	5	21012.0015.....	17
01085.0002.....	25	03633.0000.....	19	12509.0000.....	5	21014.0034.....	9,13
01100.0000.....	25	03803.0000.....	19	12509.0002.....	33	21031.0000.....	7,11
01101.0000.....	25	03803.0002.....	19	12510.1001.....	5	21031.0001.....	15
01106.0000.....	7,11,15	03807.0000.....	19	12510.1002.....	5	21033.0000.....	7,11
01106.0001.....	7,11,15	04243.0000.....	15	12510.1003.....	5	21033.0001.....	15
01106.0003.....	7,11,15	04572.0000.....	27	12510.1004.....	5	21112.1000.....	7,11
01111.0000.....	25	04623.0001.....	25	12512.0004.....	25,29	21322.0000.....	25
01111.0002.....	25	04786.0002.....	7	12514.0000.....	23	22249.0000.....	27
01116.0000.....	25	05515.0000.....	19	12514.0005.....	23	22728.0000.....	19
01154.0000.....	27	06335.1000.....	15	12514.0006.....	23	22920.0000.....	7
01155.0000.....	25,27	06335.1002.....	15	12517.0001.....	7,11	22921.0000.....	7
01170.0000.....	27	07038.0000.....	7,11,15	12518.0000.....	19	23531.0000.....	9
01171.0001.....	25	07061.0000.....	23	12519.0000.....	25	23533.0001.....	5
01201.0000.....	25	07073.1000.....	15	12520.0000.....	27	23534.0000.....	5
01219.0000.....	23	07074.1029.....	15	12521.0000.....	25	23535.0000.....	5
01221.0000.....	23	07074.1030.....	15	12522.0002.....	17	23535.0001.....	5
01268.0000.....	23	07094.0001.....	23	12524.1000.....	19	23535.0002.....	5
01303.0000.....	5,33	07105.0000.....	15	12527.0001.....	19	23535.0003.....	5
01308.0002.....	9,11,15	07119.0000.....	23	12527.0002.....	19	23717.0003.....	19
01309.0000.....	7,15	07127.0003.....	23	12527.1009.....	19	23721.0000.....	25,27
01310.0000.....	15	07244.0000.....	23	12527.1010.....	19	23799.0001.....	9,13
01311.0000.....	5,7,11,15,25	10243.0000.....	5	12527.1011.....	19	23820.1000.....	27
01315.0000.....	5,25,29,33	10262.0000.....	5	12529.0005.....	17	24288.0000.....	25
01317.0000.....	5,7,11,15,17	10331.0000.....	5	12529.0006.....	17	24289.0000.....	27

## NUMERICAL INDEX

PART NO.	PAGE NO.	PART NO.	PAGE NO.	PART NO.	PAGE NO.	PART NO.	PAGE NO.
24736.0000.....	31	40717.0000.....	13				
24737.0000.....	31	40718.0000.....	13				
25151.0000.....	15	40719.0000.....	13				
25292.0000.....	7,11	40720.0000.....	13				
25920.0001.....	23	41185.0000.....	7				
25920.1010.....	23	41185.0001.....	7				
25922.0003.....	23	41716.0001.....	29				
27353.0000.....	5	41760.0000.....	21				
27705.0000.....	7,11,17	42095.0000.....	17				
27906.1000.....	15	42096.0000.....	17				
27088.0000.....	33	43957.1000.....	33				
27919.0000.....	17	43958.1000.....	33				
27919.0001.....	17	44024.1001.....	33				
27945.0000.....	9,13	44025.0000.....	33				
27945.0009.....	17	44033.0000.....	33				
27945.0010.....	17	44222.0000.....	33				
28005.0000.....	25	44223.1000.....	23				
28020.0000.....	27	44224.0000.....	33				
28021.0000.....	27	44657.0000.....	33				
28195.0000.....	15	M2522.1000.....	21				
28479.0000.....	25						
28480.0000.....	25						
28481.0000.....	25						
28710.0000.....	23						
28715.0000.....	23						
29081.0000.....	11,33						
29446.0000.....	7,11						
32283.0000.....	29						
32833.0000.....	7,11						
33725.0000.....	29						
34130.0000.....	7,11						
35271.0001.....	23						
36233.0009.....	29						
36233.0010.....	29						
36233.0018.....	29						
36378.0001.....	29						
36687.0000.....	25						
37297.0006.....	29						
37804.0000.....	7,11,15,17						
37855.0750.....	25						
37857.1750.....	25,29						
37881.0000.....	5,33						
38894.0001.....	9,11,15						
38920.0000.....	9,13,17						
38920.0004.....	9,13,17						
39217.0000.....	11						
40056.0004.....	29						
40506.0000.....	29						
40506.0001.....	29						
40506.0008.....	29						
40697.1000.....	11						
40697.1001.....	11						
40708.0000.....	5						
40709.0000.....	5						
40710.0000.....	5						
40711.0000.....	5						
40712.0000.....	5						