

thermoplan



Document:	Spare parts list Foamino REV-4
-----------	--------------------------------

Modification journal

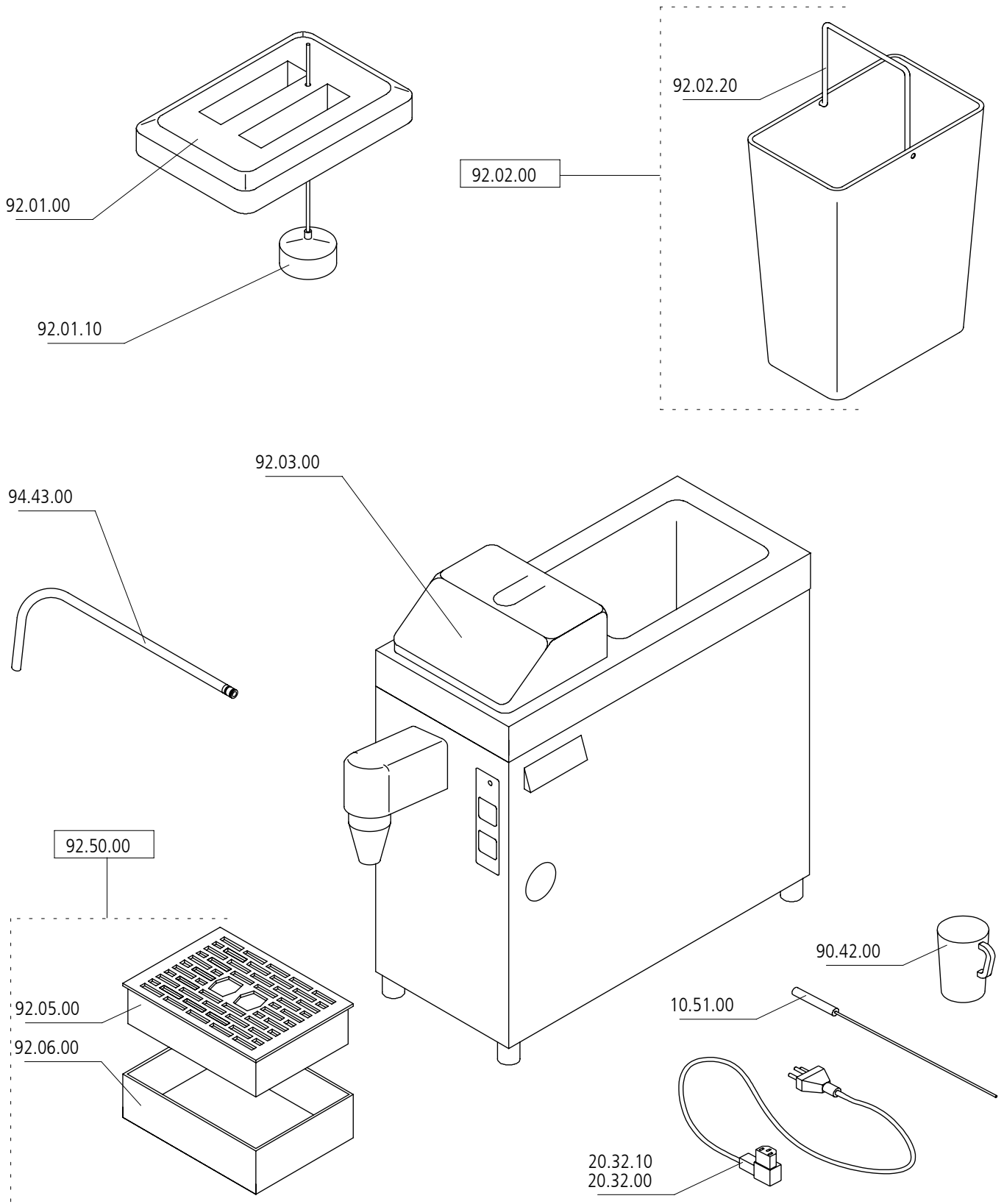
Revision:	Date:	Modifications	Visa:
0	2004-24-04	Ground document, premier edition	FC
1	2005-01-03	Various modifications	RG
2	2005-10-31	Various modifications	RT
3	2006-10-05	Spare parts list and drawings updated	RZ
4	2009-09-28	Spare parts list and drawings updated	RZ
5			
6			
7			
8			
9			
10			

Overview modifications

Page	REVISION										Page	REVISION										Page	REVISION										
	0	1	2	3	4	5	6	7	8	9		10	0	1	2	3	4	5	6	7	8		9	10	0	1	2	3	4	5	6	7	8
1	X		X																														
2	X		X																														
3	X		X																														
4	X		X																														
5	X		X																														
6	X	X	X																														
7	X	X	X																														
8	X		X	X	X																												
9	X		X	X	X																												
10	X	X	X	X	X																												
11	X	X	X	X	X																												
12	X		X																														
13	X		X																														

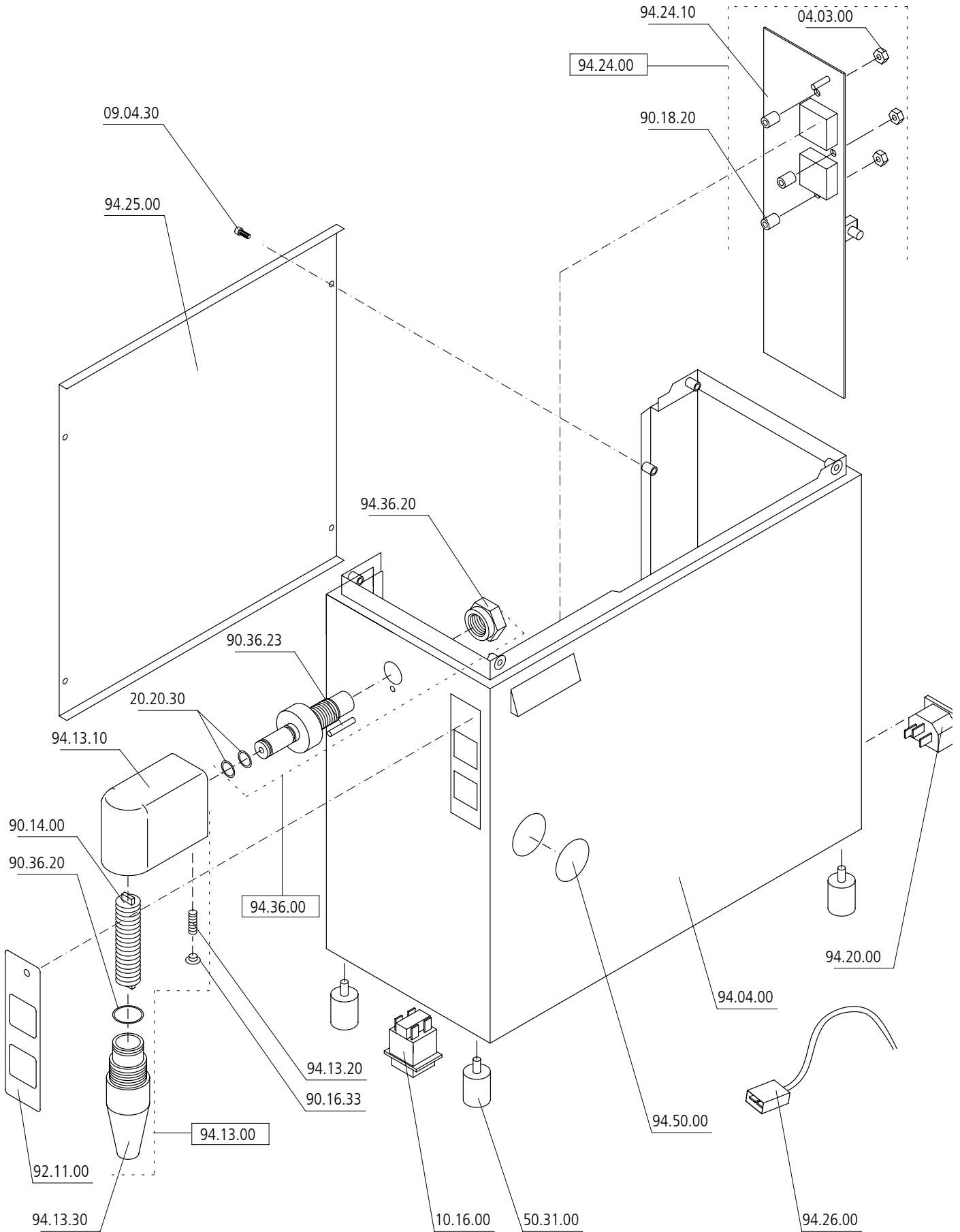
X	Modifications in contents, corrections
S	New paging

Foamino		Accessories	Spare parts list
Part No	Description		Quantity
10.51.00	Cleaning brush		1
20.32.00	a.c. cord CH		1
20.32.10	a.c. cord schuko		1
90.42.00	Measuring cup		1
92.01.00	Cover		1
92.01.10	Level controller		1
92.02.00	Milk container, assembly		1
92.02.20	Handle		1
92.03.00	Hood, assembly		1
92.50.00	Cup platform, assembly		1
92.05.00	Drip tray		1
92.06.00	Drip container		1
94.43.00	Foam supply, assembly		1



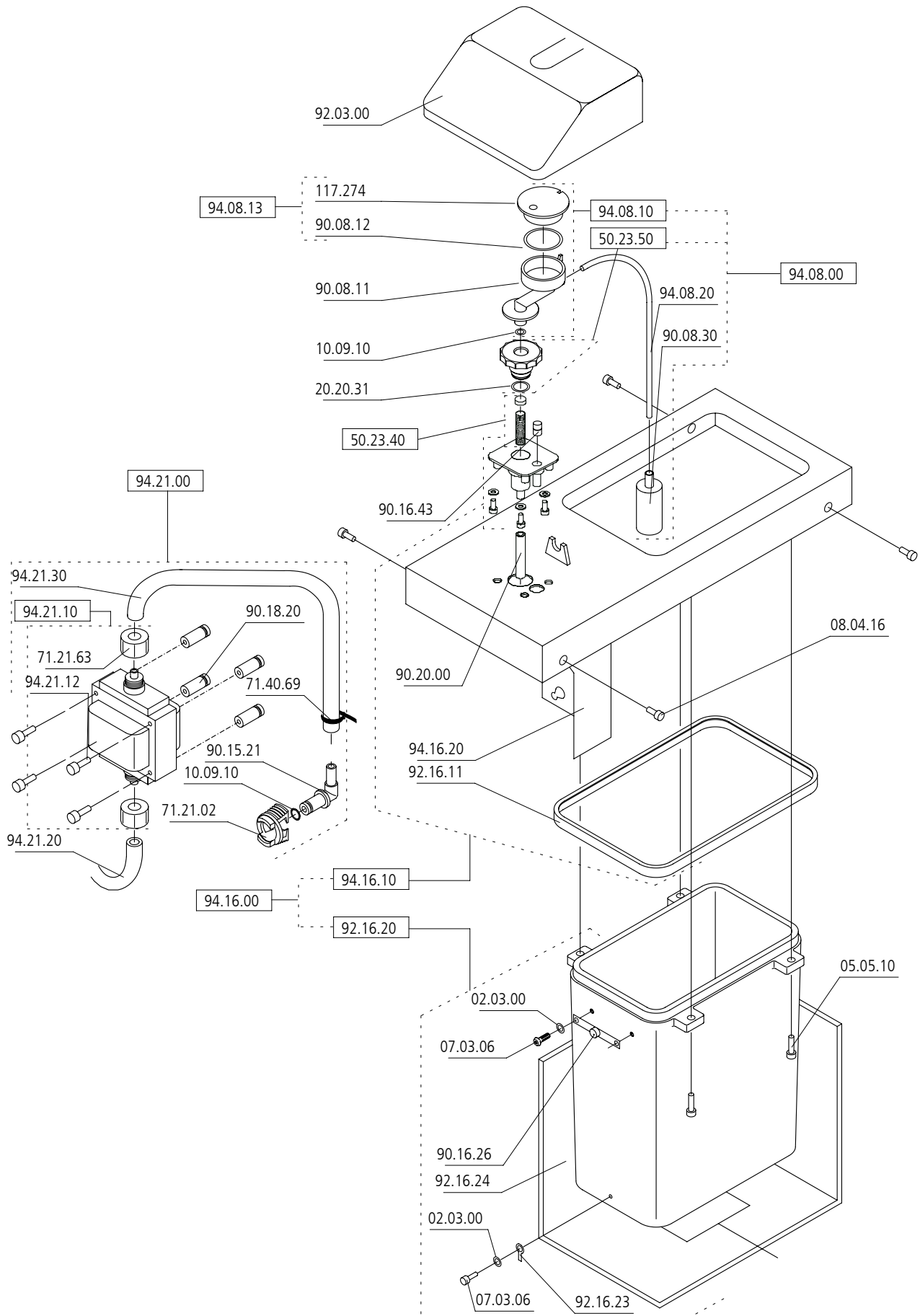
Foamino		Chassis	Spare parts list
Part No	Description		Quantity
09.04.30	Truss head machine screw M4x10		4
10.16.00	Main switch with lens, red		1
50.31.00	Foot		4
92.11.00	Keyboard foil		1
94.04.00	Stainless steel housing		1
94.13.00	Foamer head, assembly		1
90.14.00	Resistor long, assembly		1
94.13.10	Foam connection head		1
90.16.33	Plug ø8		1
94.13.20	Spring loaded ball plunger M5		1
94.13.30	Foam pipe		1
90.36.20	O-ring 17x1.5		1
94.20.00	Plug		1
94.24.00	p.c. board, assembly		1
04.03.00	Prevailing torque hex nut M3		3
90.18.20	Spacer M3		3
94.24.10	p.c. board		1
94.25.00	Side wall		1
94.26.00	Cable tree		1
94.36.00	Foam connection, assembly		1
20.20.30	O-ring ø8x2		2
90.36.23	Heavy-duty spring tension pin ø 2x8		1
94.36.20	Hexagonal nut M16		1
94.50.00	Covering plate		1

Chassis



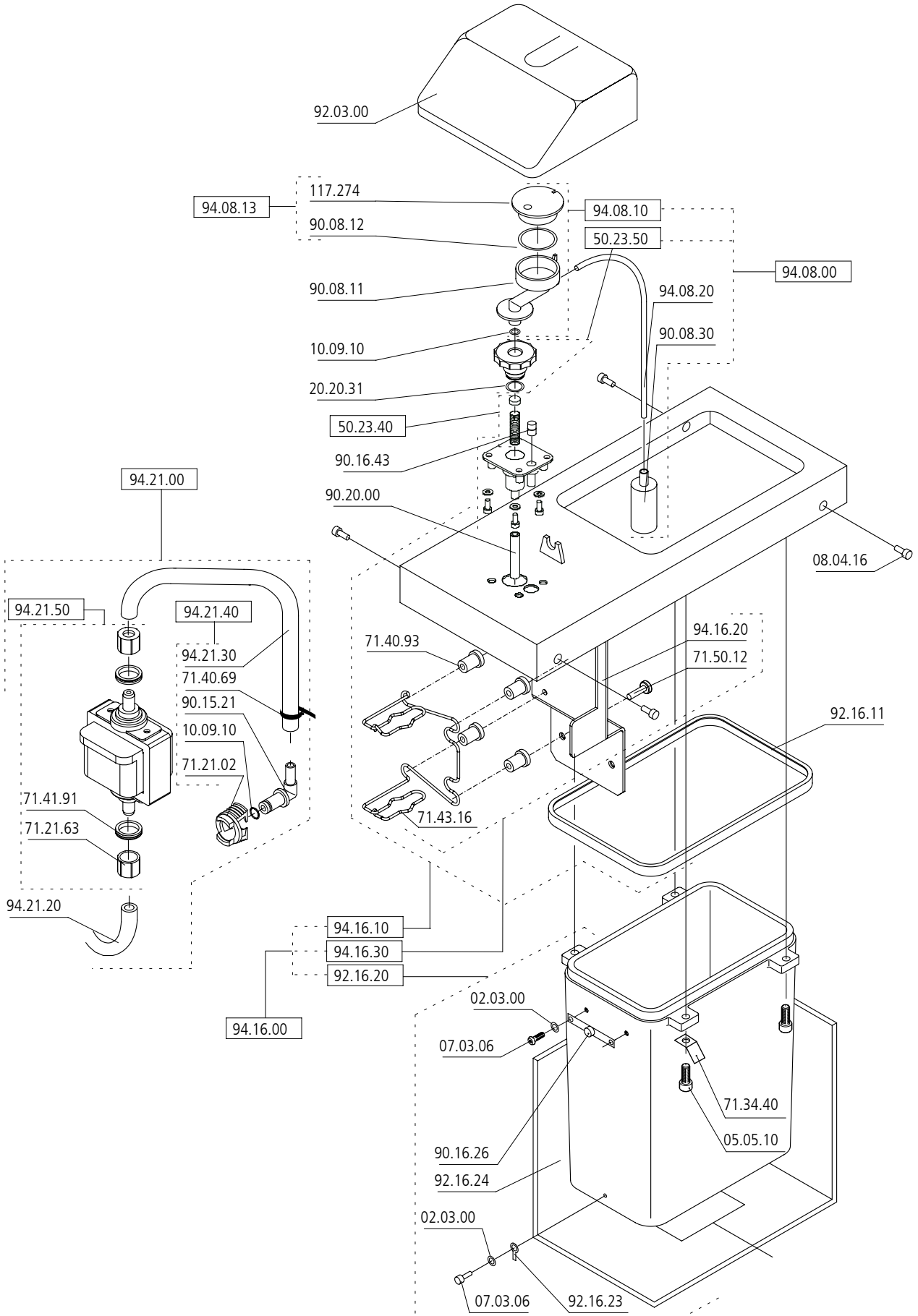
Foamino		Heating basin	Spare parts list
Part No	Description		Quantity
05.05.11	Socket head cap screw M5x10		4
08.04.16	Hex. socket countersunk head screw M4x16		4
50.23.40	Valve with spring, assembly		1
50.23.50	Valve screw, assembly		1
20.20.31	O-ring 11 x 1,5		1
90.20.00	Foam tube 115 mm		1
92.03.00	Hood, assembly		1
94.08.00	Milk foam tube, assembly		1
90.08.30	Suctioner		1
94.08.10	Milk air supply, assembly		1
10.09.10	O-ring ø5x1.5		1
90.08.11	Milk air supply		1
94.08.13	Air supply cover, assembly		1
90.08.12	O-ring ø26 x 2		1
117.274	Air supply cover		1
94.08.20	Tube 4/7x230		1
94.16.00	Frame with heating basin, assembly		1
92.16.20	Heating container with heater, assembly		1
02.03.00	Serrated lock washer M3		3
07.03.06	Oval head screw Phillips M3x6		3
90.16.26	Fuse with cable 6 p. Foamino		1
92.16.23	Temperature sensor		1
92.16.24	Insulation		1
94.16.10	Frame with seal, assembly		1
90.16.43	Stopfen Rahmeneinsatz		1
92.16.11	Seal 2l		1
94.16.20	Pump support plate		1
94.21.00	Pump, assembly		1
10.09.10	O-ring ø5x1.5		1
71.21.02	Securing clip		1
71.40.69	Cable tie		1
90.15.21	Connection angle		1
90.18.20	Sspacer M3		4
94.21.10	Pump		1
71.21.63	Nut for pump Foamino easyline		2
94.21.12	Pillips pan head screw M3x25		4
94.21.20	Suction tube 4/7x230		1
94.21.30	Forcing tube 4/8x120		1

Heating basin



Foamino		Heating basin V2	Spare parts list
Part No	Description		Quantity
05.05.11	Socket head cap screw M5x10		4
08.04.16	Hex. socket countersunk head screw M4x16		4
50.23.40	Valve with spring, assembly		1
50.23.50	Valve screw, assembly		1
20.20.31	O-ring 11 x 1,5		1
71.34.40	Faston 45°, M5		1
90.20.00	Foam tube 115 mm		1
92.03.00	Hood, assembly		1
94.08.00	Milk foam tube, assembly		1
90.08.30	Suctioner		1
94.08.10	Milk air supply, assembly		1
10.09.10	O-ring ø5x1.5		1
90.08.11	Milk air supply		1
94.08.13	Air supply cover, assembly		1
90.08.12	O-ring 26 x 2		1
117.274	Air supply cover		1
94.08.20	Tube 4/7x250		1
94.16.00	Frame with heating basin, assembly		1
92.16.20	Heating container with heater, assembly		1
02.03.00	Serrated lock washer M3		3
07.03.06	Oval head screw Phillips M3x6		3
90.16.26	Fuse with cable 6 p. Foamino		1
92.16.23	Temperature sensor		1
92.16.24	Insulation 2L		1
94.16.10	Frame with seal, assembly		1
90.16.43	Stopfen Rahmeneinsatz		1
92.16.11	Seal 2l		1
94.16.30	Pump support plate, assembly		1
71.40.93	Rubber mounting bush M4		4
71.43.16	Support to vibration pump		1
71.50.12	Oval head screw Phillips M4x16		1
94.16.20	Pump support plate		1
94.21.00	Pump, assembly		1
94.21.20	Suction tube 4/7x230		1
94.21.40	Forcing tube, assembly		1
10.09.10	O-ring ø5x1.5		1
71.21.02	Securing clip		1
71.40.69	Cable tie		1
90.15.21	Connection angle		1
94.21.30	Forcing tube 4/8x120		1
94.21.50	Pump Foamino with V-ring		1
71.21.63	Nut for pump Foamino easyline		2
71.41.91	V-ring for pump support easyline		2

Heating basin V2



Part No	Description
1	On/Off
2	Housing
3	Pump
4	P.C. board
5	Dosage
6	Temperature
7	Heating
8	Heating tank
9	Temperature sensor
10	Temperature fuse
11	Main plug 230V - 50Hz

